

Product Testing Dept.
Royde and Tucker Ltd
Bilton road
Hitchin
Hertfordshire
SG4 0SB

T: 01462 444444
F: 01462444433
w: www.ratman.co.uk



BS8613:2017

Test of: SR71 Finger Protection Jamb Seal

Finger protection devices for pedestrian doors – specification

A Report To:

Royde and Tucker Ltd
Bilton Road, Hitchin, SG4 0SB, United Kingdom

Document reference:

RTR 17006

Date: 31/01/2017

Issue No. : 1

TEST CONCLUSIONS

Samples of:

Manufacturer Royde and Tucker Ltd
Product Finger Protection Jamb Seal
Model SR71

Have been tested in accordance with: BS8613:2017

By: RT Testing Department, Royde and Tucker Ltd, Bilton road, Hitchin, Hertfordshire, SG4 0SB.

Clause No.	Description	Compliance
5	Requirements	Class1
5.1	General requirements	Pass
5.2	Mechanical function and structural integrity	Pass
5.3.1	Effectiveness general requirements	Pass
5.3.3	Deformation of the device	Pass
5.4	Small parts	Pass
5.5	Sharp edges	Pass
6	Marking	Pass

No inferences can be made regarding performance against other requirements of this standard.

Authorisation:

Tests performed by: Jeff Jones, Technical Manager
Richard Peacock, Test Engineer

Signed

Date 31/01/17

For and on behalf of Royde and Tucker

Signed

Date 31/01/17

For and on behalf of Royde and Tucker

Report issued by; Jeff Jones, Technical Manager

Signed

Date 31/01/17

For and on behalf of Royde and Tucker

Report Authorised by: Jon Simms, Chartered Engineer

Signed

Date 31/01/17

For and on behalf of Royde and Tucker

Report Issued 31st January 2017

Note: Testing carried out to BS8613:2017 By internal Royde and Tucker testing personnel.

Product was tested as sampled from a production batch.

Tests marked NT were not tested

Test marked NA are not applicable to the product on test.

The report shall not be reproduced except in full, (and then only as permitted by copyright laws), without written approval from Royde and Tucker.

Contents	Page no.
Test Conclusions	2
Authorisation	3
Test Details	6
Test procedure	7
Initial observations	8
Test Specimen	9
Schedule of components	10
Performance criteria and test results	11
Conclusions	14
Limitations	14
Revision history	15

Test Details

Client details

In house testing

Order details

Order no: N/A
Dated N/A

Sample details

Product Finger protection device
Model SR71
Manufacturer Royde and Tucker Ltd
Markings Yes, Etched Royde and Tucker logo
Date of manufacture 14th November 2016
Other information None

Test Details

Test specification BS8613:2017
Full test Class 1
Test to clauses 5.1, 5.2, 5.3.1, 5.3.3, 5.4, 5.5
Sample received 9/01/2017
Test Started 9/01/17
Test Completed 31/01/17

Special test requirements None
Other reports to be used
in conjunction with this report. None

TEST PROCEDURE

Introduction

This test report should be read in conjunction with the Standard BS8613:2017 Finger protection devices for pedestrian doors – Specification

Instruction to test

Initial requirement was for gap covering performance Class 1 product.

Test specimen construction

A description of the test construction is given in the Schedule of components. The description is based on a detailed survey of the specimens and product data sheets.

Installation

The sample was mounted on a test door and frame as per the supplied instructions and the requirements of BS8613:2017

Sampling

The samples were randomly selected from a production batch

Test climate

The sample was conditioned in the laboratory in the range 15 – 30 °C

Initial observations

Sample fitted to test door and frame



Product was cut to length and fitted per the instructions from the bottom edge to the top edge of the door leaf (2025mm), with the supplied screws at the prescribed intervals. First and last screw 20mm from the edge with further screws approximately 300mm apart

Side strips were fixed flat to the door and frame stop without gaps.

Cover strips were fitted covering the screw heads.

TPV centre section of the seal forms a uniform curve along its full length during operation of the door.

Door operates normally with the sample fitted.

TEST SPECIMEN

Figure 1 Plan

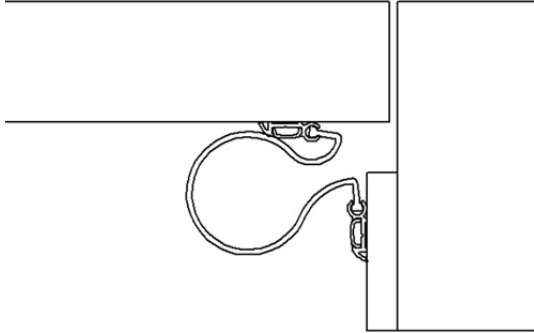
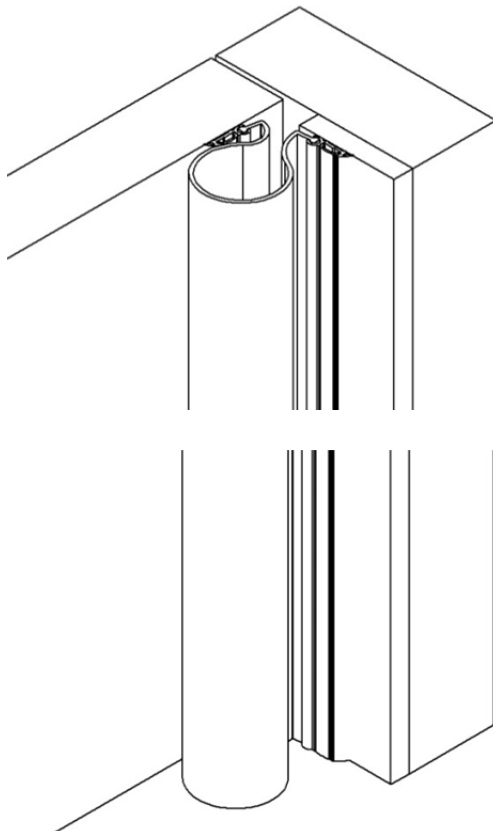


Figure 2 General isometric



Schedule of components

(Refer to figures 1 to 3)

(all values are nominal unless stated otherwise)

(All other details are as stated by the sponsor)

Variants

Lengths 2100mm and 2500mm

Standard width 160mm and Wide 260mm

(Standard width evaluated to be most arduous for all Class 1 tests.)

<u>Item</u>	<u>Description</u>
1. Finger protection device	
Supplier	: Royde and Tucker Ltd
Description	: Finger protection device
Reference	: SR71BLK2100
Overall size	: 2100mm x 165mm
Materials	
Main body	:TPV & Aluminium
Cover strips	:PVC
Fixings	
i. Type	: Pan head self-drilling screw
ii. Size	: 3.2 x 25mm
iii. Finish	: Bright zinc plate
2. Test Doorset	
Supplier	: Royde and Tucker Ltd
Description	: GDC core lipped 3 sides, hardwood frame
Reference	: SR71BLK2100
Door size	: 2025mm x 830mm x 44mm
Materials	
Door core	:Halspan Prima
Frame	:Utile
Fixings	
i. Type	: NA
ii. Size	: NA
iii. Finish	: NA

PERFORMANCE CRITERIA AND TEST RESULTS

CLAUSE	REQUIREMENT	RESULT	CLASS
5.1	Indication of type of doors and supply of fixings	PASS	1
5.2	Mechanical function and structural integrity	PASS	1
5.3.1	Effectiveness general requirements	PASS	
5.3.2	Prevention of finger entrapment requirement	NPR*	1
5.3.3	Deformation of the device	PASS	1
5.4	Small parts	PASS	1
5.5	Sharp edges	PASS	1
6	Marking	PASS	1
Annex B	Information to be supplied by the manufacturer	PASS	1

*NPR (No Performance Required)

Under Class 1 as per below table from BS8613 there is no requirement for entrapment.

Requirements	5.1	5.2	5.3.1	5.3.2	5.3.3	5.4	5.5
Class 1	X	X	X	—	X	X	X
Class 2	X	X	X	X	X	X	X

NOTE 'X' denotes requirement to be fulfilled.

TEST OF SAMPLE FITTED TO TIMBER TEST DOOR AND FRAME

CLAUSE	REQUIREMENT	RESULT	PASS/FAIL
5.1 General requirements	The manufacturer shall indicate the type(s) of doors, including the thicknesses and the materials (e.g. aluminium, PVC, wood), for which the device is suitable.	Details supplied in the fitting instructions	PASS
5.2 Mechanical function and structural integrity	When tested in accordance with 7.4.1, the device shall not break, have any visible cracks or permanent deformation, nor disengage. The device shall be fully functional after the test.	200,000 cycles completed with no visible damage or wear.	PASS
5.3.1 Effectiveness general requirements	The device shall be operational over the full length of that part which is intended to provide its protective function. That part of the device which is intended to provide its protective function shall extend to within 15mm of the bottom of the device. (see also A.6) a minimum length of 1800 mm shall be supplied for testing. Operational parameters to include maximum opening angle, minimum and maximum door thicknesses shall be used when testing.	Device covers the gap effectively over the full height of the test door (Design evaluated for range of door thicknesses and considered not to be affected so 44mm used.)	PASS
5.3.3 Deformation of	When tested in accordance with	The device	PASS

the device	7.4.2.2, when the finger probe is removed the normal operation of the door shall not be impaired.	recovered once the probe was removed	
5.4 Small parts	If any part becomes detached during testing it shall not fit wholly in the small parts cylinder described in 7.2.4 when tested in accordance with 7.4.2.3.	No parts became detached during testing.	PASS
5.5 Sharp edges	Edges and protruding parts accessible during use shall be rounded or chamfered.	All protruding edges are rounded or chamfered	PASS
6 Marking	<p>Devices shall be marked clearly and legibly with the following information:</p> <ul style="list-style-type: none"> a) The manufacturer's name, trademark or other means of identification; b) The product model identification; c) The number of this standard (e.g.BS8613:2017) d) The classification according to clause 4; and e) The week and year of manufacture (can be coded). <p>Where applicable, packaging in which the device is supplied shall clearly denote on the outside label all of the above.</p>	<p>Device is laser marked with the RT logo, SR71 model number, coded date of manufacture. It also has a sticker marking with BS8613:2017 Class 1. External packaging label also contains this information.</p>	PASS

Conclusion

Evaluation against Objective:

The Finger protection device as supplied was tested in accordance with BS8613:2017. Finger protection devices for pedestrian doors.

The following classification was achieved: **Class 1**

Limitations

The results relate only to the behaviour of the specimens under test as tested on the specified test apparatus and to the specified test methods. It cannot be used to assess the potential performance of the product on all other constructions and applications. Assessment of suitability should be carried out by the installer.

Revision history

Issue No.	Reissue date:
Revised by:	Approved by:
Reason for revision	

Issue No.	Reissue date:
Revised by:	Approved by:
Reason for revision	