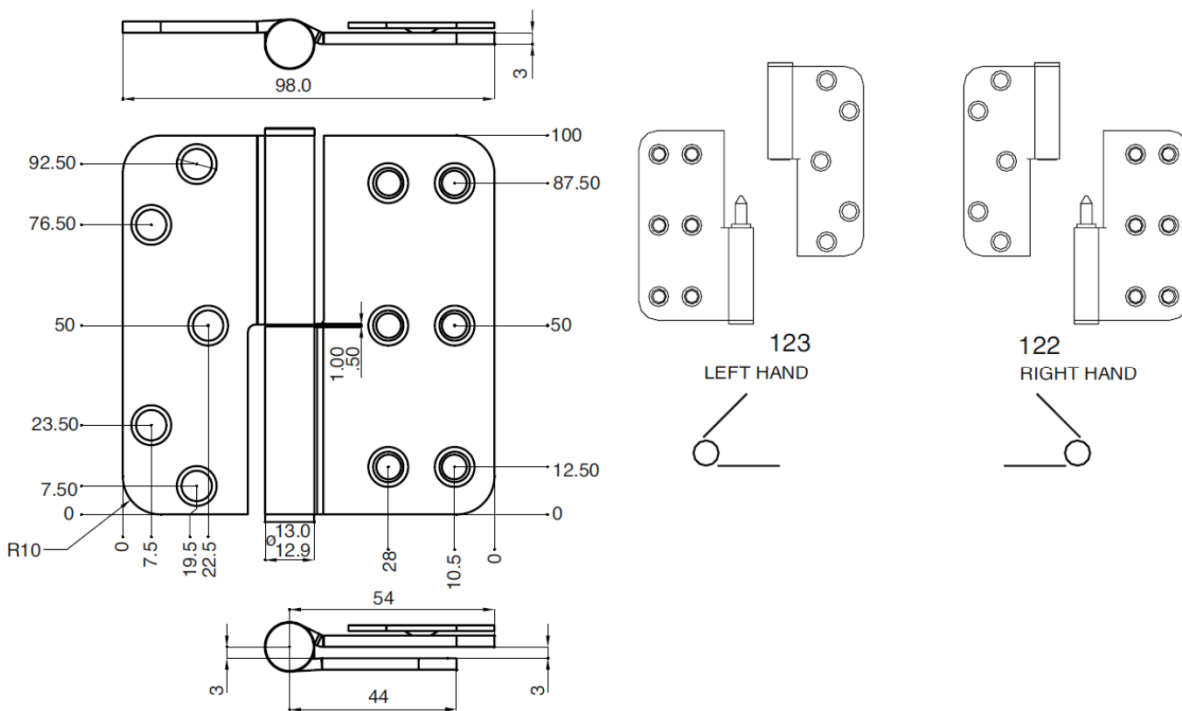
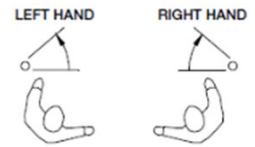


Royde & Tucker H201-122/123
 HI-LOAD ADJUSTABLE lift-off hinges



- 100x98x3mm adjustable lift-off hinge
- Maximum adjusted door weight 80kg
- Minimum door thickness 44mm
- Maintenance free, guaranteed for 25 years
- Vertical adjustment +/- 1.5mm
- Horizontal adjustment +/- 1.5mm
- c/w metric 5 x 32mm wood screws
- Unless otherwise stated stainless steel substrate,

Royde & Tucker Ltd
 Bilton Road
 Cadwell lane
 Hitchin
 SG4 0SB
 Tel: 01462 444444
 Fax: 01462 444433
 www.ratman.co.uk
 e-mail: sales@ratman.co.uk