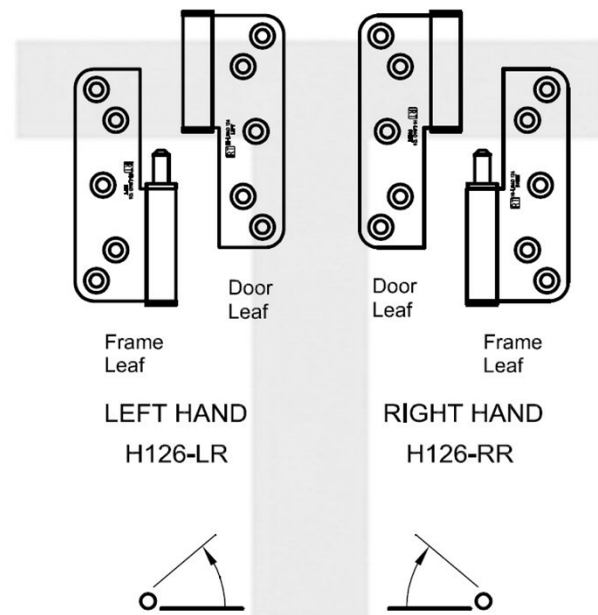
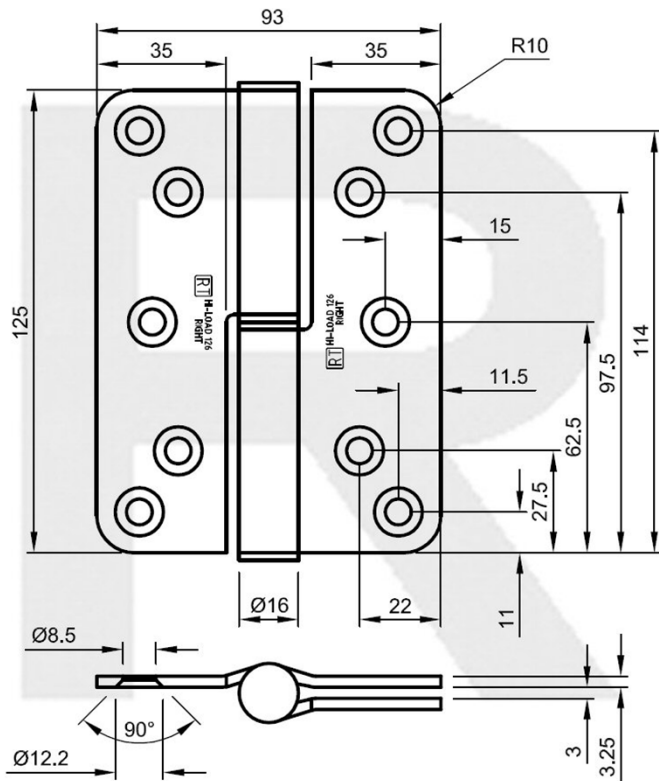
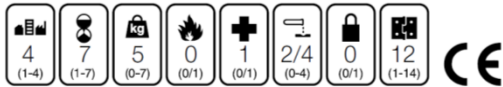


## Royde & Tucker H126 HI-LOAD lift-off hinge



BS EN 1935



- 125x93x3.2mm Lift-off hinge
- Maximum adjusted door weight 120kg
- To BS EN 1935 Grade 12
- Minimum door thickness 44mm
- Maintenance free, guaranteed for 25 years
- CE Certificate No. 1121-CPR-AC0064
- To be fitted with HP1254 intumescent hinge pads, if being installed on fire doors
- c/w metric 6 x 32mm wood screws
- Grade 304 or 316 stainless steel

**Royde & Tucker Ltd**

Bilton Road  
 Cadwell lane  
 Hitchin  
 SG4 0SB

Tel: 01462 444444

Fax: 01462 444433

www.ratman.co.uk

e-mail: sales@ratman.co.uk