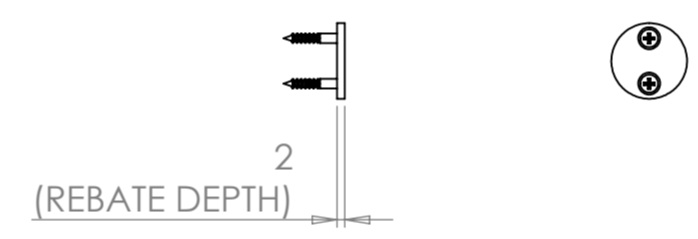
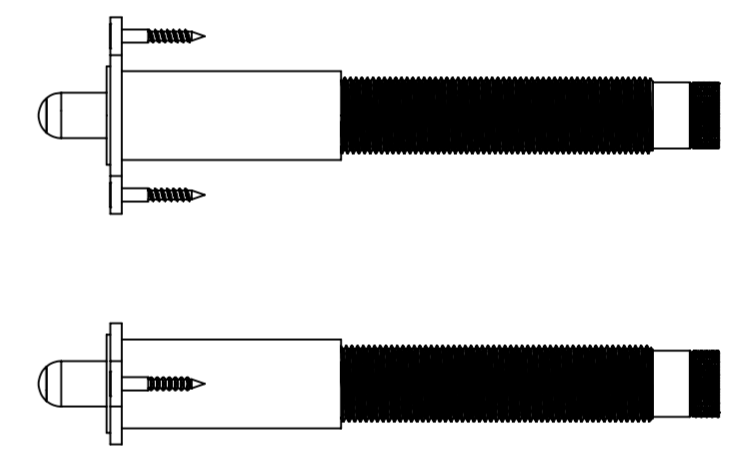


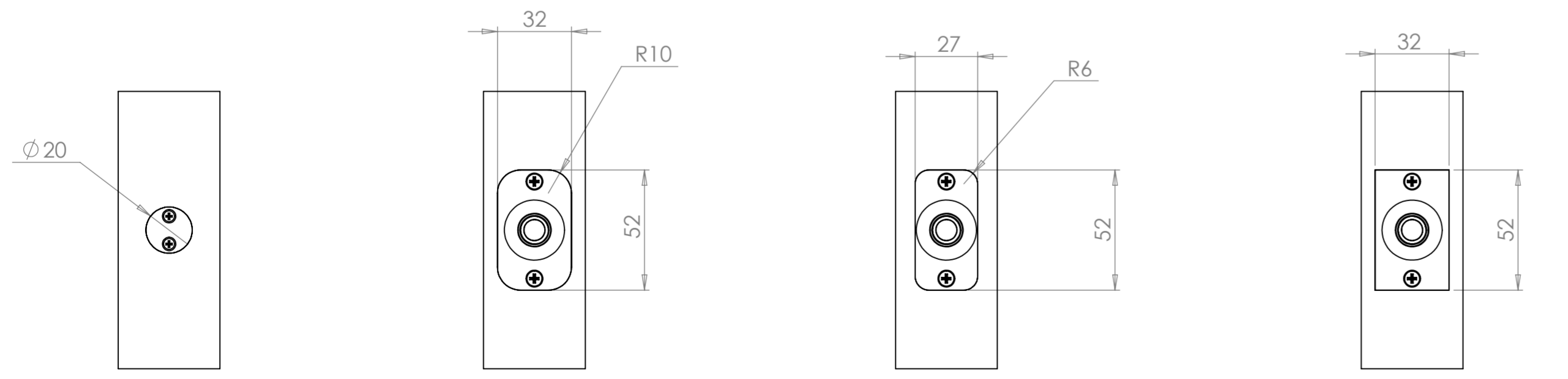
STRIKE PLATE



DAMPER UNIT
(OPEN CONDITION)



STRIKE AND FACE PLATE OPTIONS



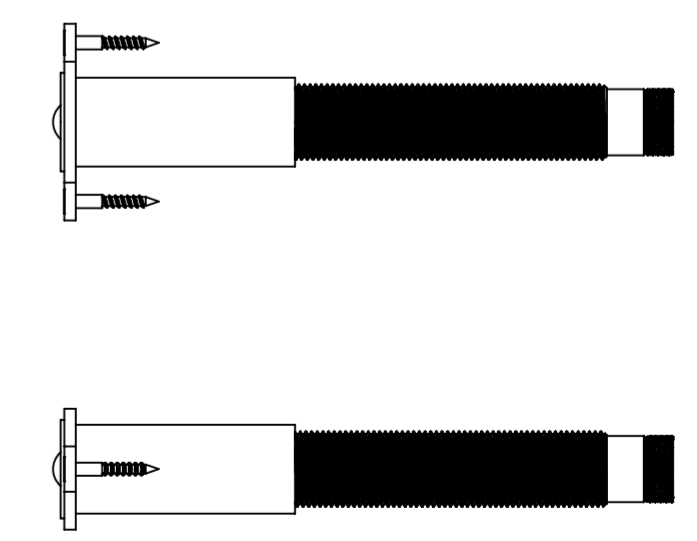
Strike Plate

Face Plate
Standard Width, Radius

Face Plate
Narrow Width, Radius

Face Plate
Standard Width, Square

DAMPER UNIT
(CLOSED CONDITION)



ROYDE & TUCKER LTD
BILTON ROAD
HITCHIN
HERTFORDSHIRE
SG4 0SB
TEL: 01462 444444

FINISH:	-
TITLE:	D141 Damper, Standard Duty
DRAWN	NAME SIGNATURE DATE
APPVD	29/07/2020
CHK'D	

This drawing is Confidential & Copyright material. It must not be reproduced or distributed in whole or in part without the express written permission of the copyright owner. © Royde & Tucker Ltd 2010. All rights reserved.

TOLERANCES:
LINEAR PART: ± 0.2
LINEAR ASSEMBLY: ± 0.3
ANGULAR: ± 0.5

DO NOT SCALE DRAWING

3RD ANGLE

UNLESS OTHERWISE SPECIFIED: DIMENSIONS ARE IN MM

MATERIAL:

WEIGHT: Not calculated

DWG NO.	D141-100-SD	A2
SCALE:	1:2	REV 1
SHEET 2 OF 2		