



CERTIFICATE OF APPROVAL

No CF 255

This is to certify that, in accordance with
TS00 General Requirements for Certification of Fire Protection Products
The undermentioned products of

ROYDE & TUCKER LIMITED

Bilton Road, Cadwell Lane, Hitchin, Hertfordshire, SG4 0SB
Tel: 01462 444444 Fax: 01462 444433

Have been assessed against the requirements of the Technical Schedule(s)
denoted below and are approved for use subject to the conditions
appended hereto:

CERTIFIED PRODUCT
Letterplate Assemblies

TECHNICAL SCHEDULE
TS32 - The contribution of
letterplates and their
accessories to fire resisting
and smoke control doorsets
with metallic or non-
metallic leaves

Signed and sealed for and on behalf of Warringtonfire Testing and Certification Limited

Paul Duggan
Certification Manager



Issued: 15th July 2002
Reissued: 25th October 2019
Valid to: 24rd October 2024





CERTIFICATE No CF 255

ROYDE & TUCKER LIMITED

Royde and Tucker Letterplate Assemblies

1. This certification is provided to the client for their own purposes and we cannot opine on whether it will be accepted by Building Control authorities or any other third parties for any purpose.
2. Royde & Tucker letterplate assemblies comprise a range of systems with integral intumescent liner material.

This approval applies to the LP02-44, LP02-49, LP02-54, LP02-64, LP03-44, LP03-49, LP03-54, LP03-64, LP05-44, LP05-49, LP05-54, LP05-64, LP06-44, LP06-49, LP06-54, LP06-64, LP08-44, LP08-49, LP08-54 and LP08-64 variants mounted horizontally. It relates to their use with the following door assemblies:

Door assemblies consisting of timber faced and edged leaves with timber, cellulosic or mineral cores in timber, metal or composite frames having fire resistances of 30 & 60 minutes, depending on letterplate assembly (Code ITT, ITM, ITC)*

Door assemblies consisting of steel leaves within steel frames having fire resistances of 30 or 60 minutes, depending on letterplate assembly (Code MM, IMM).

This approval also applies to the LP02V-44, LP02V-49, LP02V-54, LP02V-64, LP03V-44, LP03V-49, LP03V-54, LP03V-64, LP08V-44, LP08V-49, LP08V-54 and LP08V-64 steel letterplates variants mounted vertically. It relates to their use with the following door assemblies:

Door assemblies consisting of timber faced and edged leaves with timber, cellulosic or mineral cores in timber, metal or composite frames having fire resistances of 30 & 60 minutes, depending on letterplate assembly (Code ITT, ITM, ITC)*

** Use in composite-based door leaves is not certificated*

3. The letterplates are approved on the basis of:
 - i) Initial type testing
 - ii) An appraisal against TS32
 - iii) Certification of quality management system.
 - iv) Inspection and surveillance of factory production control
 - v) On-going audit testing in accordance with TS32 requirements
- 4.

The door assembly shall be a CERTIFIRE approved product or have achieved the appropriate fire resistance performance when tested at a UKAS accredited laboratory in accordance with BS 476: Part 22: 1987.

Page 2 of 6 Signed
E/004

Issued: 15th July 2002
Reissued: 25th October 2019
Valid to: 24th October 2024

CERTIFICATE No CF 255 ROYDE & TUCKER LIMITED

Royde and Tucker Letterplate Assemblies

5. The letterplates may only be fitted in the manner described in this certificate and subject to any limitations on the inclusion of letterplates specified for the door leaf.
6. Letterplates shall only be fitted using the fixings supplied by the manufacturer.
7. The timber-based doorsets shall be installed in accordance with BS 8214.
8. The approval relates to on-going production. Product and/or its immediate packaging is identified with the manufacturer's name, the product name or number, the CERTIFIRE name or name and mark, together with the CERTIFIRE certificate number and application where appropriate.
9. The following tables show acceptable doorset types and fire resistance periods:

Table 1. Approval Matrix (LP02-44, LP02-49, LP02-54, LP03-44, LP03-49, LP03-54, LP02-64, LP03-64, LP08-44, LP08-49, LP08-54 and LP08-64 positioned horizontally)

| Integrity rating | Approved Door Type | | |
|------------------|--------------------------------------|----------------------------------|-------------------------------------|
| | Non-metallic leaf (ITT, ITM, ITC) | Metallic based leaf (MM, IMM) | Composite door leaf ¹ |
| FD20 | ✓ | ✓ | ✗ |
| FD30 | ✓ | ✓ | ✗ |
| FD60 | ✓ | ✓ | ✗ |
| FD90 | ✗ | ✗ | ✗ |
| FD120 | ✗ | ✗ | ✗ |

Table 2. Approval Matrix (LP05-44, LP05-49, LP05-54, LP06-44, LP06-49, LP06-54, LP05-64, LP06-64 positioned horizontally)

| Integrity rating | Approved Door Type | | |
|------------------|--------------------------------------|----------------------------------|-------------------------------------|
| | Non-metallic leaf (ITT, ITM, ITC) | Metallic based leaf (MM, IMM) | Composite door leaf ¹ |
| FD20 | ✓ | ✓ | ✗ |
| FD30 | ✓ | ✓ | ✗ |
| FD60 | ✗ | ✗ | ✗ |
| FD90 | ✗ | ✗ | ✗ |
| FD120 | ✗ | ✗ | ✗ |

CERTIFICATE No CF 255 ROYDE & TUCKER LIMITED

Royde and Tucker Letterplate Assemblies

Table 1. Approval Matrix (the LP02V-44, LP02V-49, LP02V-54, LP02V-64, LP03V-44, LP03V-49, LP03V-54, LP03V-64, LP08V-44, LP08V-49, LP08V-54 and LP08V-64 steel letterplates positioned vertically)

| Integrity rating | Approved Door Type | | |
|------------------|--------------------------------------|----------------------------------|-------------------------------------|
| | Non-metallic leaf (ITT, ITM, ITC) | Metallic based leaf (MM, IMM) | Composite door leaf ¹ |
| FD20 | ✓ | ✗ | ✗ |
| FD30 | ✓ | ✗ | ✗ |
| FD60 | ✓ | ✗ | ✗ |
| FD90 | ✗ | ✗ | ✗ |
| FD120 | ✗ | ✗ | ✗ |

Key

✓ - approved

✗ - not approved

1 - For ITM, ITT and ITC doorsets, the letterplate is approved for use only with door leaves comprising a solid cellulosic core.

10. Doors are classified as the following types:

Type MM - 20 minute to 240 minute doorsets that consist of metallic leaves in metallic frames that do not contain intumescent materials in the frame to leaf gap.

Type IMM - 20 minute to 240 minute doorsets that consist of metallic leaves in metallic frames that contain intumescent materials in the frame to leaf gap.

Type ITT - 20 minute to 120 minute doorsets containing intumescent seals and consisting of non-metallic faced and edged leaves hung in timber frames

Type ITM - 20 minute to 120 minute doorsets containing intumescent seals and consisting of non-metallic faced and edged leaves hung in metal frames.

Type ITC - 20 minute to 120 minute doorsets containing intumescent seals and consisting of cellulosic –based, non-metallic faced and edged leaves hung in proprietary composite frames, of which the principal material is other than timber or metal but which may include any other materials.

CERTIFICATE No CF 255

ROYDE & TUCKER LIMITED

Royde and Tucker Letterplate Assemblies

Scope of Approval:

- The letterplate is a complete system using brass, stainless steel (LP02-44, LP02-49, LP02-54, LP02-64, LP03-44, LP03-49, LP03-54, LP03-64, LP08-44, LP08-49, LP08-54 and LP08-64), or aluminium (LP05-44, LP05-49, LP05-54, LP05-64, LP06-44, LP06-49, LP06-54 and LP06-64 only) plates and a PVC encased intumescent lining with maximum dimensions of 312 mm by 80 mm.
- Only the LP02V-44, LP02V-49, LP02V-54, LP02V-64, LP03V-44, LP03V-49, LP03V-54, LP03V-64, LP08V-44, LP08V-49, LP08V-54 and LP08V-64 steel letterplates are approved in the vertical orientation
- Where the letterplate is fitted in a horizontal orientation the letterplate system shall be fitted at a minimum of 250 mm and maximum of 1700mm from the base of the door leaf to the middle of the aperture.
- Where the letterplate is fitted in a vertical orientation the letterplate system shall be fitted at a minimum of 1300 mm and maximum of 1600mm from the base of the door leaf to the middle of the aperture.
- The letterplate system may be fitted to cope with fire risk from either face.
- For ITM, ITT and ITC doorsets, the letterplate is approved for use only with door leaves comprising a solid cellulosic core.
- The letterplate has been evaluated against BS 476: Part 31.1 for the control of cold smoke and has a leakage rate of 1.5 m³/hr/m at 25 Pa.

Installation on Thicker Door Leaves (Timber door only)

- Standard product
 - The standard product is designed to fit door leaves in three thickness ranges, 42-47 mm, 47-52 mm and 52-57 mm.
- Timber door leaves with a maximum thickness of 64 mm.
 - This approval also allows for the installation of the letterplates into timber door leaves with a maximum thickness of 64 mm.
 - The models referenced LP02-64, LP03-64, LP05-64, LP06-64 and LP08-64 require specific aperture preparation on the door leaf.



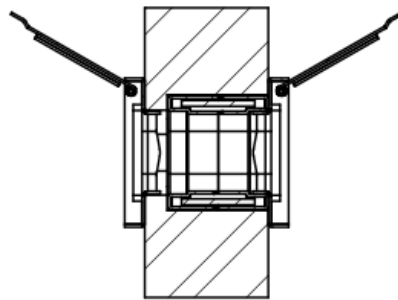
CERTIFICATE No CF 255

ROYDE & TUCKER LIMITED

Royde and Tucker Letterplate Assemblies

Scope of Approval – Cont'd:

- The sectional view below gives a brief illustration of the door preparation required for 64 mm doors:



SECTION VIEW

- For 64 mm thick doors, the method of installation requires asymmetrical preparation of the door leaf and requires that the standard aperture 270 mm long by 60 mm high is router from the inside face of the door leaf to a depth of nominally 52 mm and a reduced aperture of 253 mm long by 44 mm wide is cut through the remainder of the door leaf thickness (nominally 12 mm) from the outside face. Full details of the door preparation will be included within the manufacturer's installation instructions.

Further Information

Further information regarding the details contained in this certificate may be obtained from Royde & Tucker Limited (Tel: 01462 444444).

Further information regarding the CERTIFIRE certification and other approved products can be obtained from CERTIFIRE (Tel: 01925 646777).