


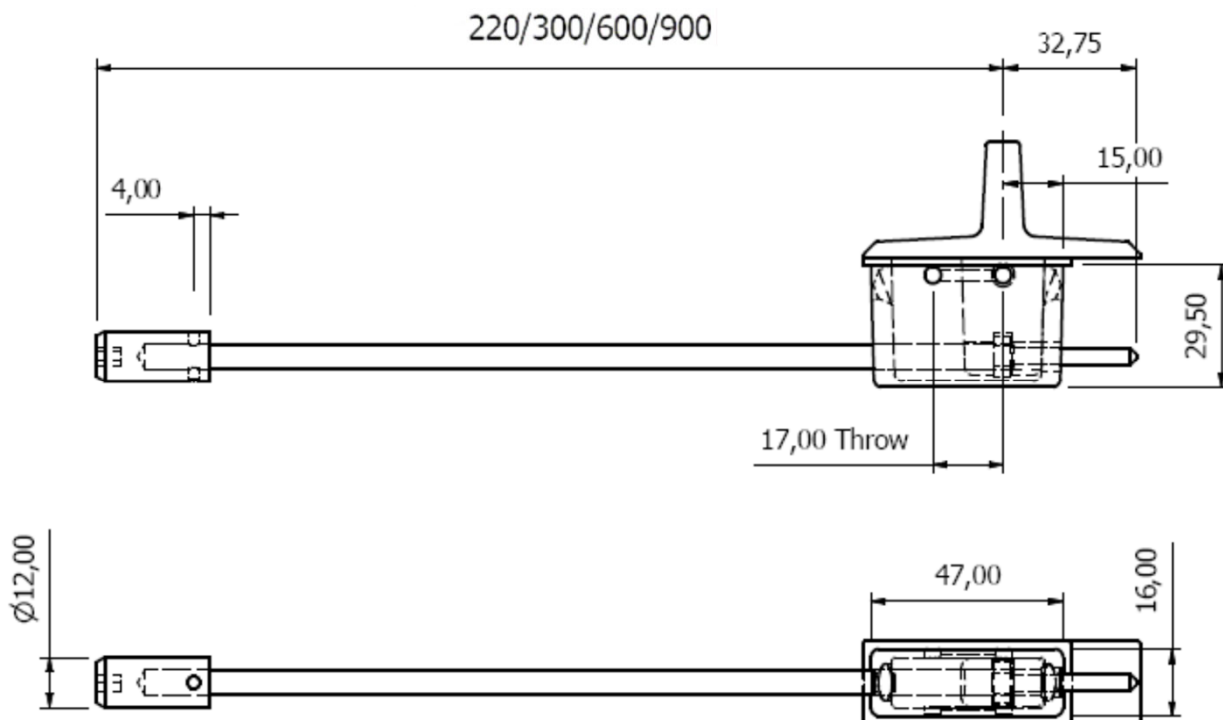
Royde & Tucker Anza bolts (Surface mounted)

- Grade 304 stainless steel
- Minimum door thickness 44mm
- BS EN 1634 tested. Suitable for 44mm (FD30) and 54mm (FD60) fire doors
- Includes certified intumescent pack (FD options)
- Surface mounted into face of door
- Tamper and abuse resistant
- Fully concealed fixings
- Provides easy and reliable exit where required by fire regulations
- Suitable for top or bottom mounting
- Large knob slide for easier operation
- Bolt throw 17mm
- Inclusive of forend, strike plate & fixings



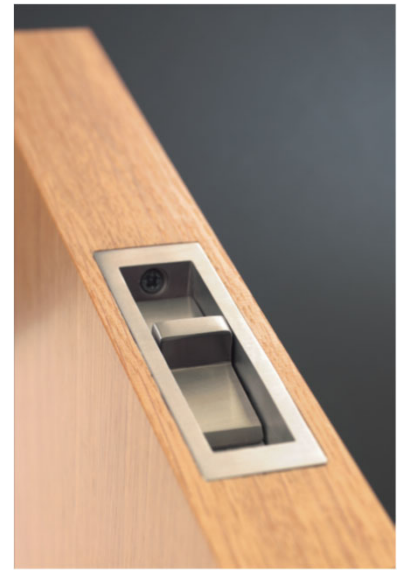
ANZ-220- (220mm long)
 ANZ-300- (300mm long)
 ANZ-600- (600mm long)
 ANZ-900- (900mm long)

ANZ-220-FD (220mm long)
 ANZ-300-FD (300mm long)
 ANZ-600-FD (600mm long) 
 ANZ-900-FD (900mm long)

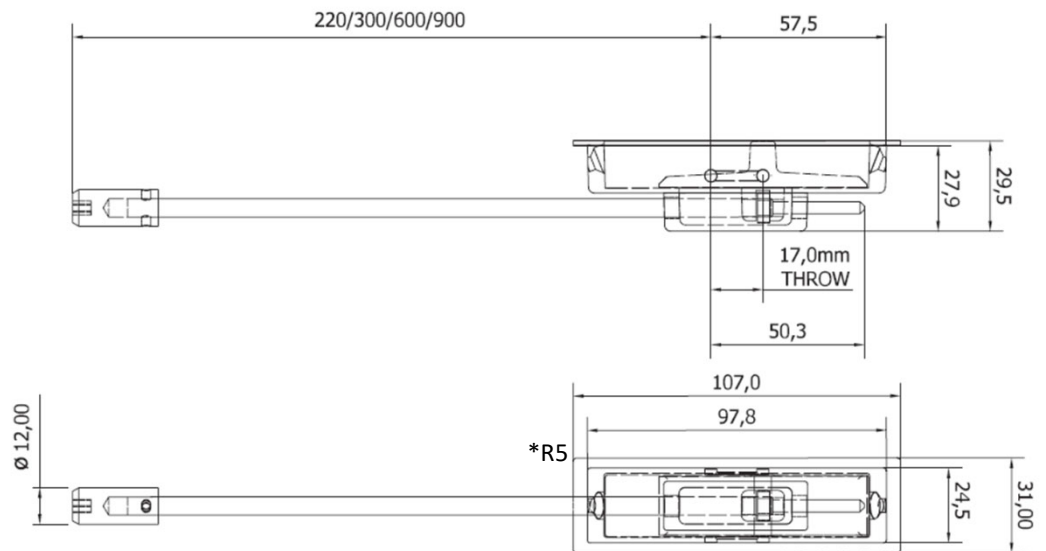


Royde & Tucker Anza bolts (Flush mounted)

- Grade 304 stainless steel
- Minimum door thickness 44mm
- Flush mounted into leading edge of door
- BS EN 1634 tested. Suitable for 44mm (FD30) and 54mm (FD60) fire doors
- Includes certified intumescent pack (FFD options)
- Tamper and abuse resistant
- Concealed fixings
- Suitable for top or bottom mounting
- Large knob slide for easier operation
- Bolt throw 17mm
- Inclusive of forend, strike plate & fixings
- Square corner as standard or "R" radius corner



- ANZ/R-220-F (220mm long)
- ANZ/R-300-F (300mm long)
- ANZ/R-600-F (600mm long)
- ANZ/R-900-F (900mm long)
- *"R" = radius version R5mm



- ANZ/R-220-FFD (220mm long)
- ANZ/R-300 -FFD (300mm long)
- ANZ/R-600-FFD (600mm long)
- ANZ/R-900-FFD (900mm long)
- *"R" = radius version R3mm

