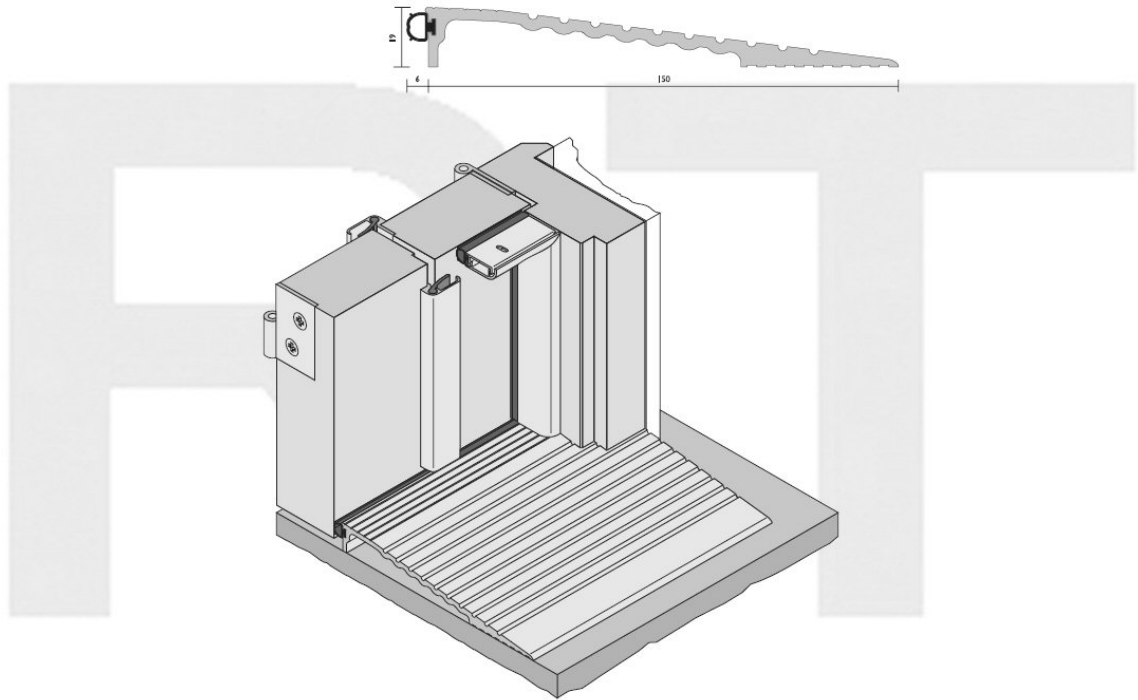


RAVEN RP97Si Threshold plate



RP97Si

(H)

A threshold plate seal particularly suited for outward opening butt hinged plant room and emergency exit doors. When used in conjunction with RP93Si and RP16Si an excellent smoke and acoustic system is achieved. For acoustic applications the void under the RP97Si should be filled with sound foam or other suitable material.

Location Door sills abutting outward opening butt hinged plant room or emergency exit doors.

Min/Max Gap Compression of seal 0mm/2mm.

Size 1000mm stock lengths.

Standard Finish Anodised Satin Clear.

Note: Specify order length wider than door opening to provide a neat detail at door frame (see illustration).



Royde & Tucker Ltd

Bilton Road

Cadwell lane

Hitchin

SG4 0SB

Tel:01462 444444

Fax:01462 444433

www.ratman.co.uk

e-mail: sales@ratman.co.uk