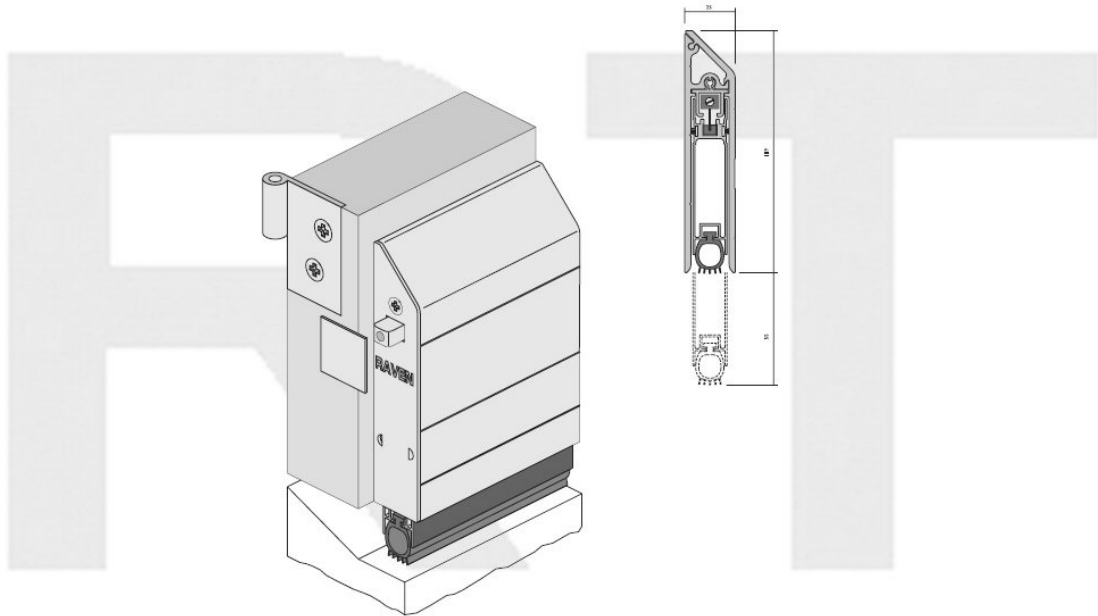


RAVEN RP92 Automatic door bottom seal



RP92

(H)

The RP92 is a heavy duty automatic door bottom seal, which is spring loaded to lift clear of the floor as soon as the door leaf is opened by a few millimetres. RP92 is designed for butt hinged doors with large gaps and can accommodate ramped floors/sills with gradients up to 1:5. Particularly suitable for wheelchair access ramps where large clearances are necessary under inward opening doors.

Larger gaps can be accommodated if set lower on the door bottom and smaller gaps if set higher on the door bottom (user determined).

Location Timber or aluminium single and double butt hinged doors.

Min/Max action sealing gaps 25mm to 55mm.

Seal Sizes (mm) 1220, 1070, 920, 820. Seals cut back to exact size, 600mm min.

Standard Finish Anodised satin clear.

Durability tested to over 500,000 cycles without failure.

Royde & Tucker Ltd

Bilton Road

Cadwell lane

Hitchin

SG4 0SB

Tel:01462 444444

Fax:01462 444433

www.ratman.co.uk

e-mail: sales@ratman.co.uk

