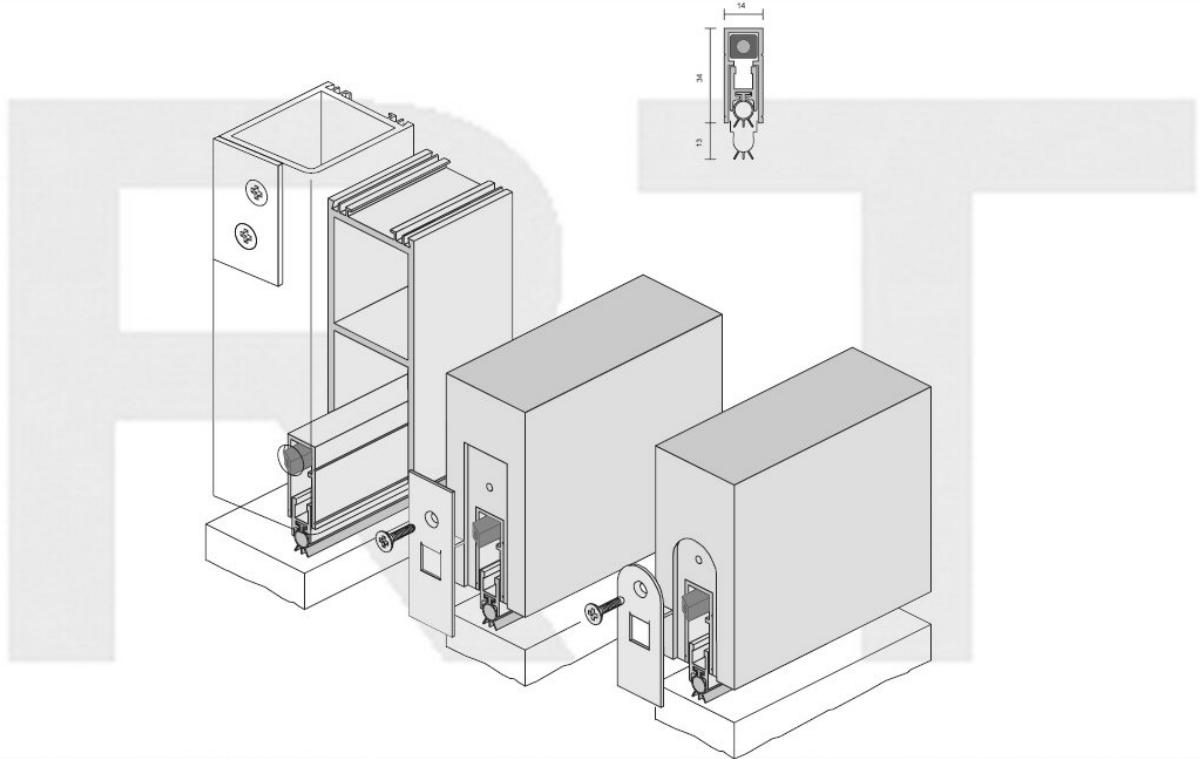


RAVEN RP8Si Automatic door bottom seal



RP8Si

(M)

A medium temperature automatic smoke/acoustic door bottom seal with an extruded silicon sealing component. RP8Si is spring loaded to lift clear of the floor as soon as the door leaf is opened by a few millimetres. Mounted into a 15mm x 34mm groove that has been morticed into the bottom edge of the door, it is operated automatically by pressure against the door jamb on its adjusting block (strike).

- Location Single and double, butt hinged doors.
- Min/Max Gap 3mm/13mm.
- Seal Sizes (mm) 1220, 1070, 920, 820, 600, 380.
- Seals cut back to exact size, 295mm min.
- Standard Finish Anodised Satin Clear.
- Durability tested to over 1,000,000 cycles without failure.
- Optional stainless steel rounded escutcheon plate RP8cp2
- Escutcheon Plate Dimensions *Rounded*: 22mm wide, 57mm high, (22Ømm router bit) 1.2mm thick. *Rectangular*: 22mm wide, 60mm high, 1.2mm thick.

Royde & Tucker Ltd

Bilton Road
Cadwell lane
Hitchin
SG4 0SB

Tel:01462 444444

Fax:01462 444433

www.ratman.co.uk

e-mail: sales@ratman.co.uk

