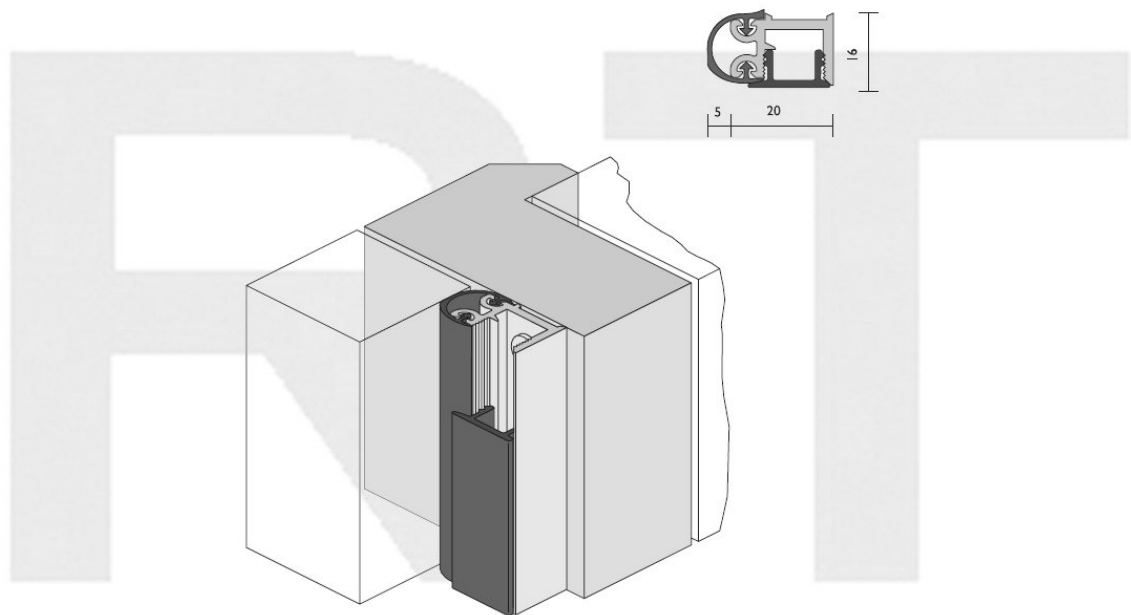


RAVEN RP84Si Door frame or Perimeter seal



RP84Si

(H)

Designed specifically for 'clean room' applications. Its easy cleaning aluminium extrusion and flexible smooth silicon sealing section considerably reduces sound transmission, is a medium temperature smoke seal and prevents movement of air borne contaminants, thus allowing for controlled air ventilation.

Location Head and jambs for single and double butt hinged doors.

Min/Max Gap 0mm to 7mm.

Seal Sizes single or double standard or single long doorsets.

Standard Finish Anodised Satin Clear.

Used in conjunction Raven door bottom seals, astragals and thresholds.



Royde & Tucker Ltd

Bilton Road

Cadwell lane

Hitchin

SG4 0SB

Tel:01462 444444

Fax:01462 444433

www.ratman.co.uk

e-mail: sales@ratman.co.uk