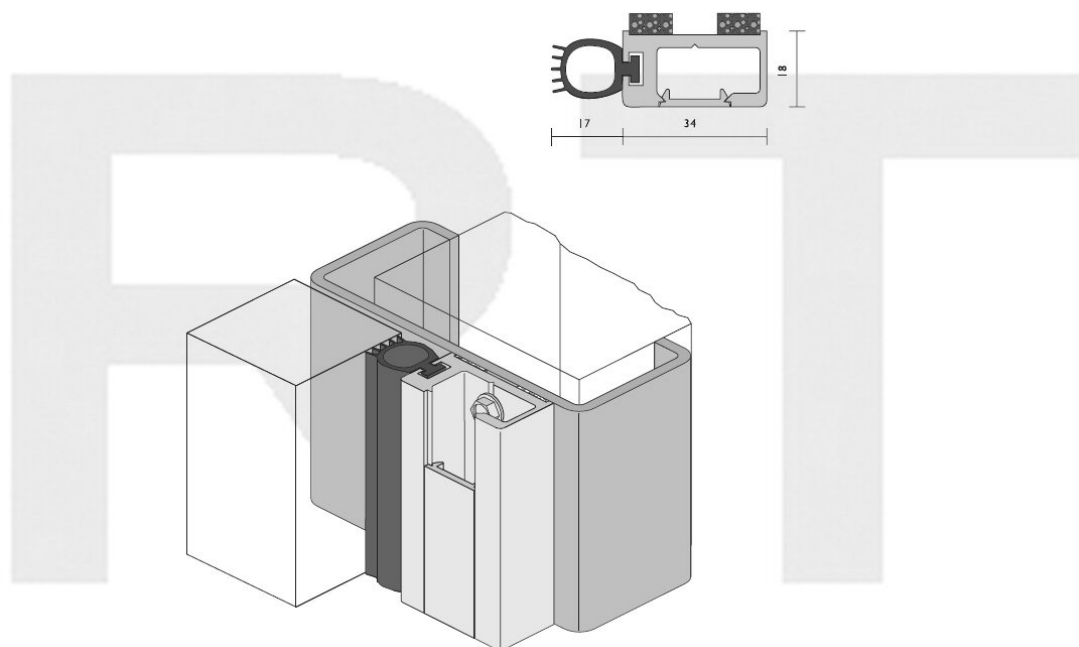


## RAVEN RP47Si Door frame or Perimeter seal



RP47Si

(H)

A heavy duty door seal which has been designed to replace the conventional door stop, around the head and jambs of the door frame. Its excellent acoustic and smoke control qualities make it particularly suitable in heavy traffic areas that sustain high abuse, such as in hospitals, hotels, airports and prisons.

Concealed behind an aluminium cover strip can be found a space for low voltage cable management, along with adjustable fastener slots for achieving perfect fitment. The extrusions of this rugged tamper proof seal can be mitred or butt jointed for ease of installation.

Location Head and Jambs of single and double butt hinged doors or bulk head applications.

Min/Max Gap 0mm/17mm.

Seal Sizes single or double doorsets or 2500mm stock lengths.

Standard Finish Anodised Satin Clear.

Used in conjunction Raven door bottom seals, astragals and thresholds.

Note: If fixed to existing rebated frames of single doors, specify a long backset door latch.

**Royde & Tucker Ltd**

Bilton Road

Cadwell lane

Hitchin

SG4 0SB

Tel:01462 444444

Fax:01462 444433

www.ratman.co.uk

e-mail: sales@ratman.co.uk

