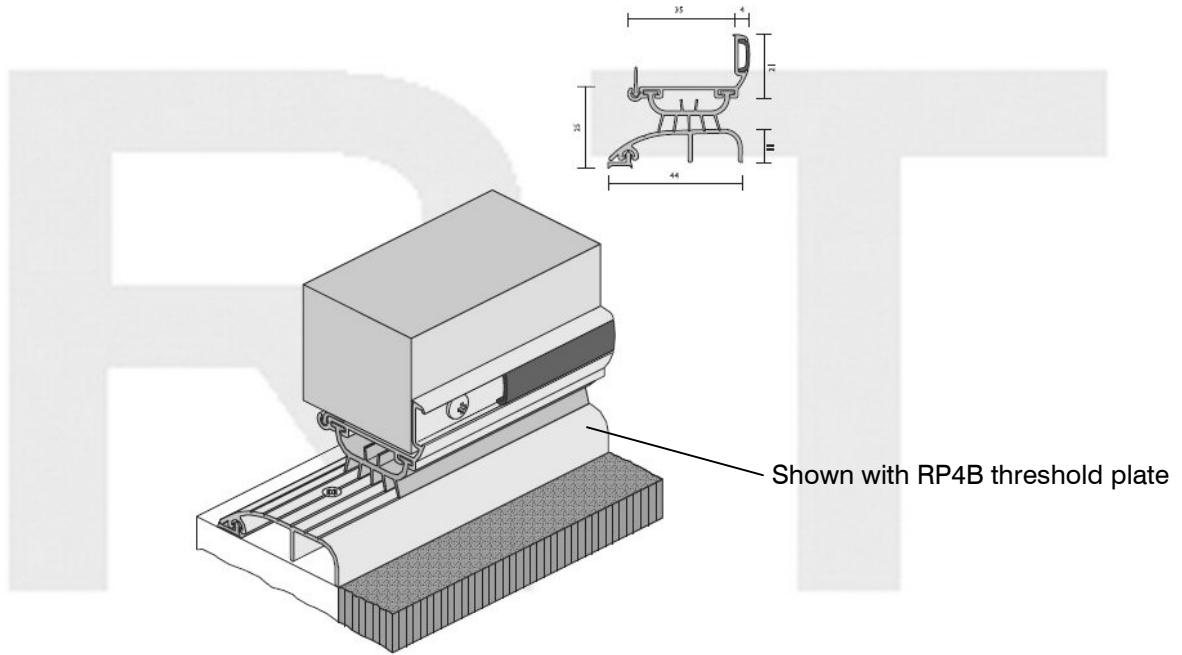


RAVEN RP4 Door bottom seal



RP4

(M)

A storm proof door bottom seal where maximum weather protection is required. The multi blade seal defies rain infiltration. RP4 can be fitted to the square cut bottom of a door without removing the door, provided there is a gap of 25mm under the door before the seal is installed. It is quick and easy to fit to both door and sill. The sealing section is slotted for adjustment.

Location Door bottom and sill of single and double butt hinged doors.

Min/Max Gap 23mm/25mm.

Seal Sizes Available in 1000mm stock lengths. Maximum length 3000mm.

Standard Finish Anodised Satin Clear.

Note: The RP4 comprises a RP4T seal and an RP4B threshold plate.



Royde & Tucker Ltd

Bilton Road

Cadwell lane

Hitchin

SG4 0SB

Tel:01462 444444

Fax:01462 444433

www.ratman.co.uk

e-mail: sales@ratman.co.uk