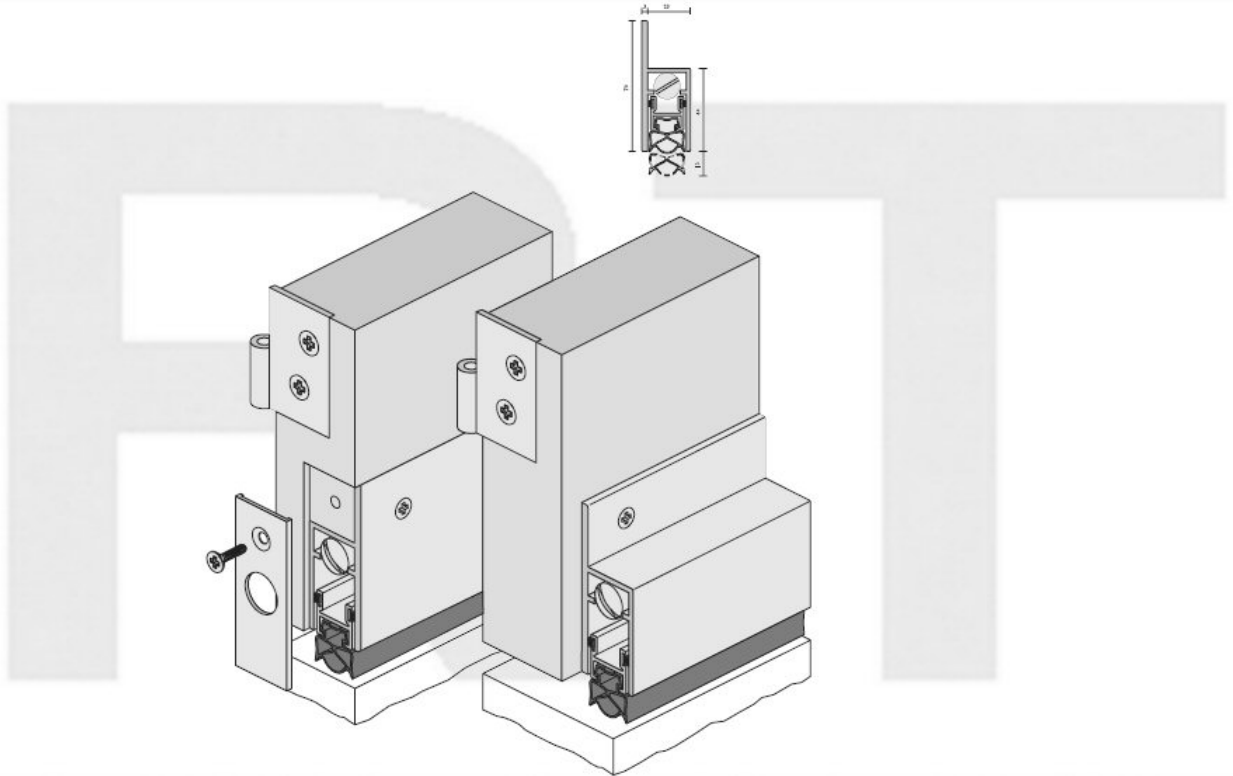


RAVEN RP38Si Automatic door bottom seal



RP38Si

(H)

A medium temperature smoke door bottom seal with an extruded silicon sealing component. The RP38Si is a heavy duty automatic seal which is spring loaded to lift clear of the floor as soon as the door leaf is opened by a few millimetres. The seal is operated automatically by pressure against the door jamb on the adjusting screw. It seals when the door closes, retracts automatically when the door is opened and is self levelling. RP38Si can be face mounted or semi-morticed. It is adjustable for left and right handed operation. When semi morticing RP38Si into double doors that require rebated meeting stiles, specify 50mm minimum door thickness. With plain meeting stiles, specify 40mm minimum thickness.

- Location Single and double butt hinged door bottoms.
- Min/Max Gap Up to 13mm.
- Seal Sizes (mm) 1500, 1220, 1070, 920, 610, 450.
- Seals cut back to exact size, 300mm min.
- Longer lengths to special order.
- Standard Finish Anodised Satin Clear
- Durability tested to over 1,000,000 cycles without failure.

Royde & Tucker Ltd

Bilton Road
Cadwell lane
Hitchin
SG4 0SB

Tel: 01462 444444

Fax: 01462 444433

www.ratman.co.uk

e-mail: sales@ratman.co.uk

