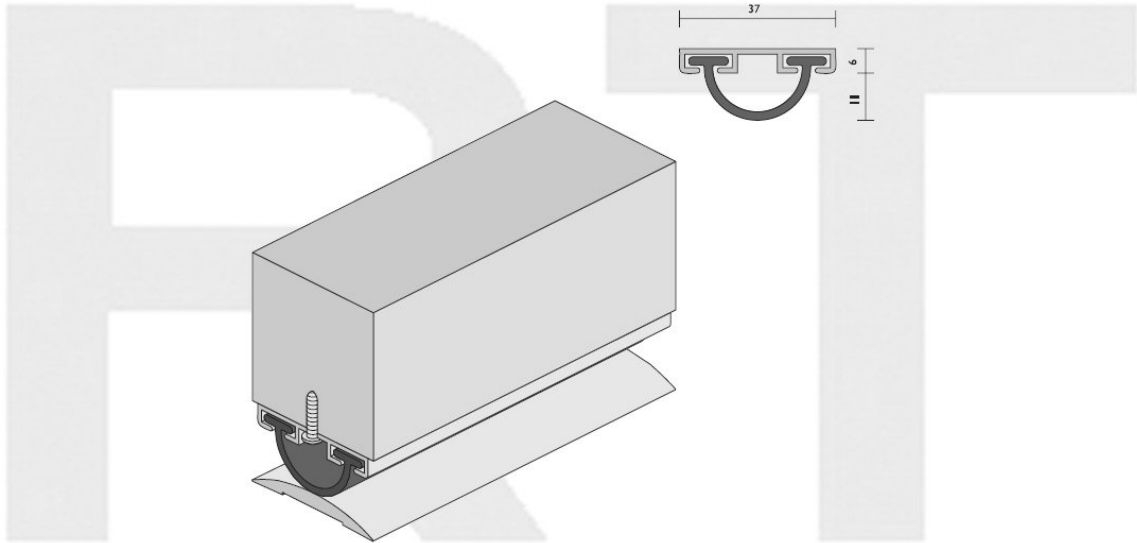


RAVEN RP31 Door bottom seal



RP31

(H)

A heavy duty sweep type seal, similar to RP30 but with greater compression, which is fitted to the bottom of a door with concealed fasteners. The design of the seal does not allow adjustment so it should not be installed in situations where adjustability is required.

Location Door bottoms, meeting stiles, bumper strip.

Min/Max Gap user determined.

Seal Sizes Available in 1000mm or 2250mm stock lengths. Maximum length 3000mm.

Standard Finish Anodised Satin Clear

Used in conjunction RP82 (essential).



Royde & Tucker Ltd

Bilton Road

Cadwell lane

Hitchin

SG4 0SB

Tel: 01462 444444

Fax: 01462 444433

www.ratman.co.uk

e-mail: sales@ratman.co.uk