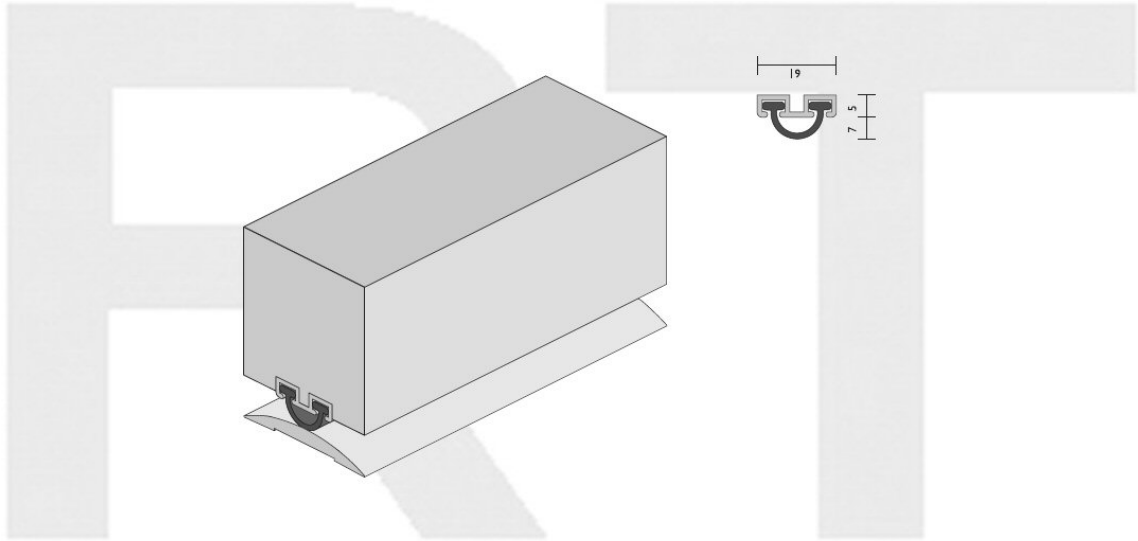


RAVEN RP30 Door bottom seal



RP30

(H)

A concealed sweep type seal which is fitted in a morticed groove that has been cut into the bottom of a door. The groove should be sufficiently deep to allow packing for adjustment.

Location Door bottoms, meeting stiles, bumper strip.

Min/Max Gap 3/8mm (user determined).

Seal Sizes Available in 1000mm or 2250mm stock lengths. Maximum length 3000mm.

Standard Finish Anodised Satin Clear

Used in conjunction RP13, RP82 (essential).



Royde & Tucker Ltd

Bilton Road

Cadwell lane

Hitchin

SG4 0SB

Tel:01462 444444

Fax:01462 444433

www.ratman.co.uk

e-mail: sales@ratman.co.uk