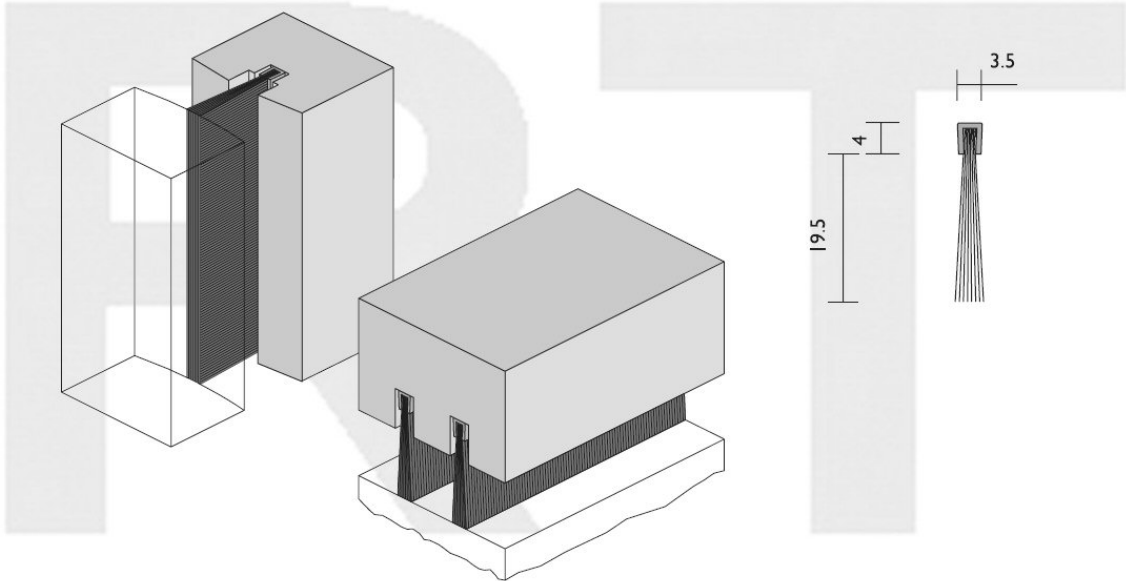


## RAVEN RP2 Brush strip seals



### RP2

A nylon brush strip seal that is fitted in a concealed manner into a machined groove in a door. Where a small clearance is encountered, the groove should be double morticed to allow the brush to fl ex.

Location Door bottoms, single, double or sliding, double acting, meeting stiles.

Min/Max Gap Up to 19mm (user determined).

Seal Sizes 1000 or 2250mm stock lengths.



**Royde & Tucker Ltd**

Bilton Road

Cadwell lane

Hitchin

SG4 0SB

Tel:01462 444444

Fax:01462 444433

[www.ratman.co.uk](http://www.ratman.co.uk)

e-mail: [sales@ratman.co.uk](mailto:sales@ratman.co.uk)