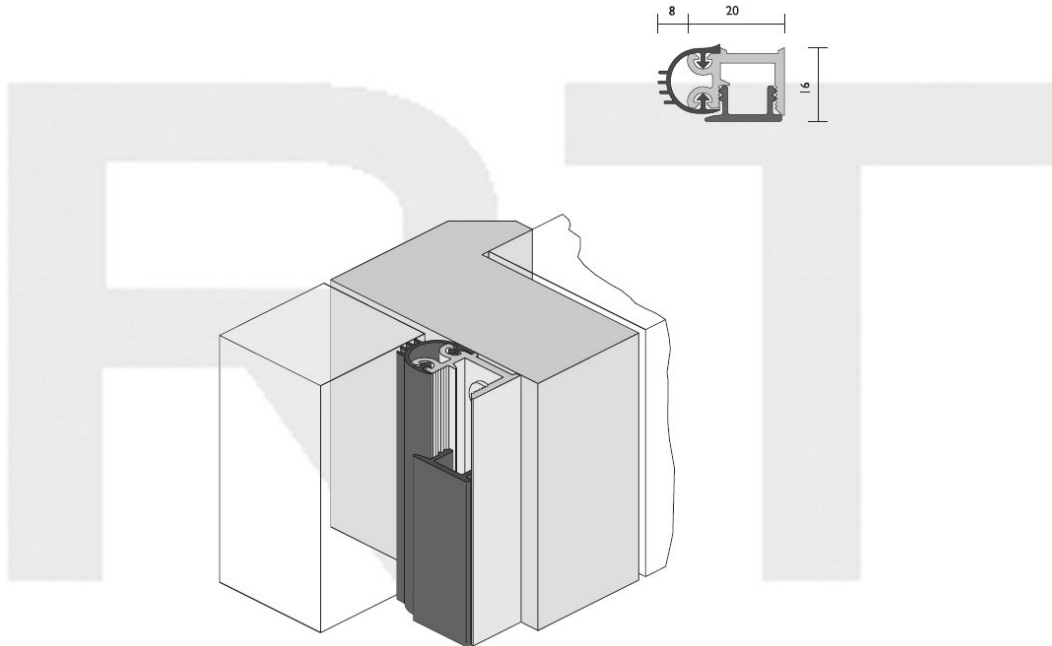


RAVEN RP10Si Door frame or Perimeter seal



RP10Si

(M)

A neat compact door stop frame seal which has proven to be an effective acoustic and medium temperature smoke seal. It is quick and easy to install onto the door frame as a door stop. It is adjustable, using concealed fixing slots for a precision fit. The multi blade seal considerably reduces the leakage of noise, smoke and air movement. The minimum deflection of the sealing fins creates maximum efficiency, offering a large tolerance for door movement over time. The seal can be mitred or butt jointed to give an integrated aesthetic appearance.

Location Head and jambs of single or double butt hinged doors.

Min/Max Gap 0mm/10mm.

Seal Sizes single or double standard or long doorsets

Standard Finish Anodised Satin Clear

Used in conjunction Raven door bottom seals, astragals and thresholds.

Note: If fixed to existing rebated frames of single doors, specify a long backset door latch.

Royde & Tucker Ltd

Bilton Road

Cadwell lane

Hitchin

SG4 0SB

Tel:01462 444444

Fax:01462 444433

www.ratman.co.uk

e-mail: sales@ratman.co.uk

