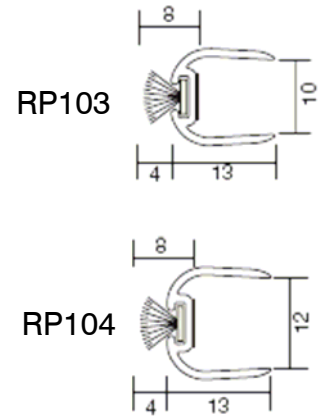
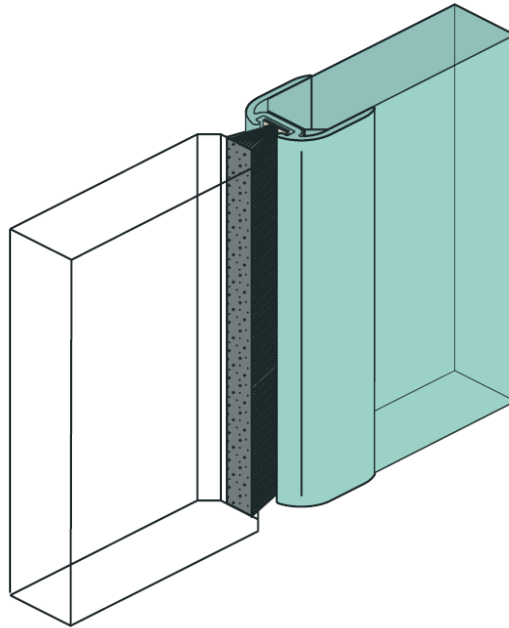


RAVEN RP103&104 Astragal/meeting stile seals



RP103&104

(M)

Clear polycarbonate astragal seals for 10 or 12mm thick frameless glass doors. Woven pile sealing strip is combined with a weather fin.

Location Double butt hinged and centre pivot double acting doors.

Max Gap 8mm.

Seal Sizes 3000mm stock sizes.

Standard Finish Clear.



Royde & Tucker Ltd

Bilton Road

Cadwell lane

Hitchin

SG4 0SB

Tel:01462 444444

Fax:01462 444433

www.ratman.co.uk

e-mail: sales@ratman.co.uk