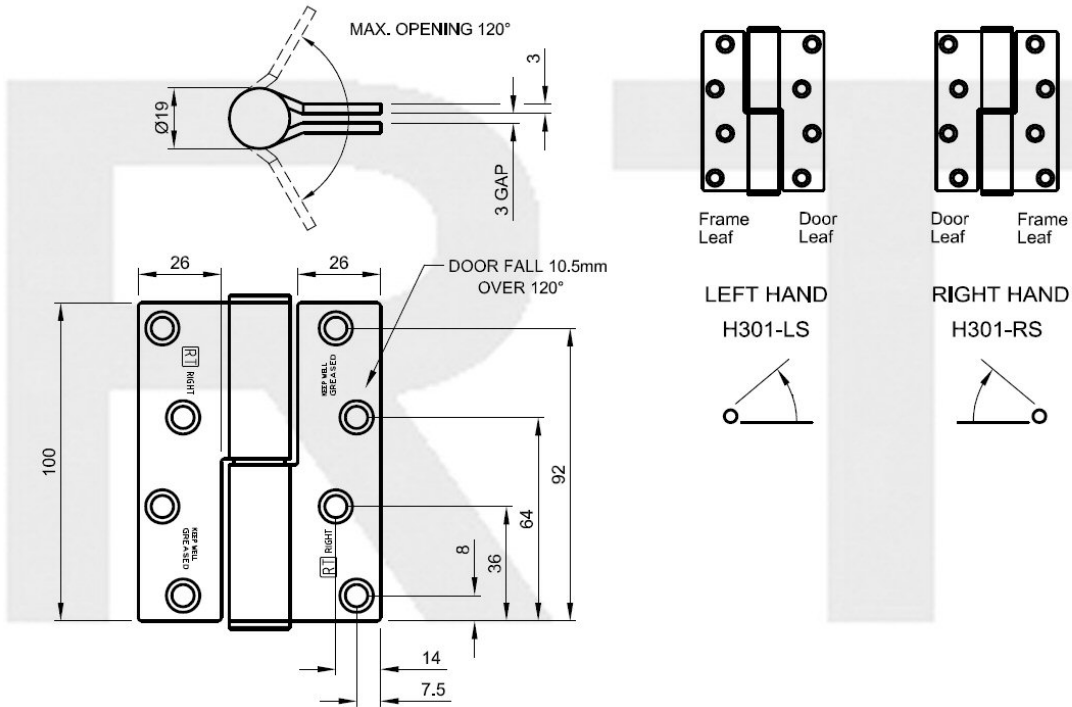


Royde & Tucker H301 falling butt hinge



These hinges cause the door to FALL OPEN

- 100x77x3mm falling butt hinge
- Stainless steel 304
- To ensure correct working, pairs of rising butts must be fitted co-axially with screws supplied
- Only two butts per door should be used
- c/w M5 x 30mm screws
- Maximum adjusted door weight 50kg
- Minimum door thickness 29mm
- Unit weight 0.36kg
- Packing box quantity 2 or 30

Note: These butts are not to be confused with the RT HI-LOAD range in that they require regular maintenance. After fitting the cam faces and pin must be lubricated with grease supplied, following the manufacturers instructions.

Royde & Tucker Ltd
 Bilton Road
 Cadwell lane
 Hitchin
 SG4 0SB
 Tel: 01462 444444
 Fax: 01462 444433
 www.ratman.co.uk
 e-mail: sales@ratman.co.uk