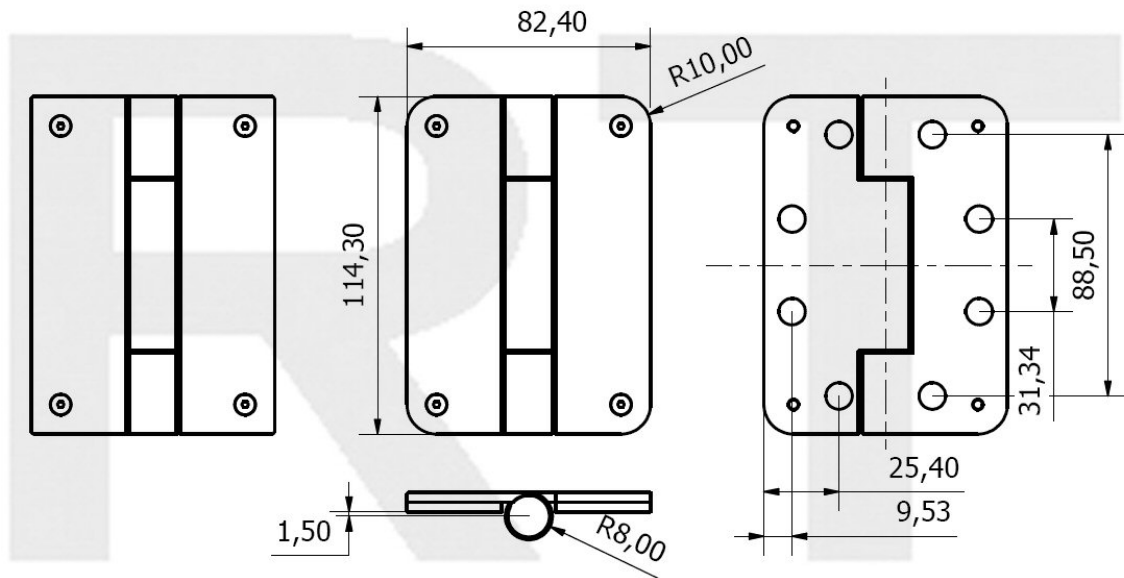


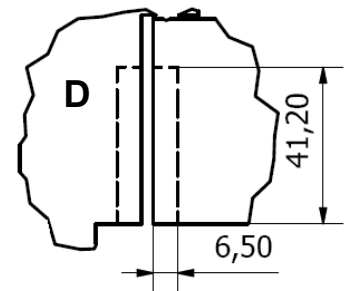
Royde & Tucker H210-300 HI-LOAD Concealed fixing's butt hinge



- 114.3x82.4x6.5mm Triple knuckle butt hinge
 - Grade 304 stainless steel
 - Maintenance free, guaranteed for 25 years
 - Square or radiused corners
 - 4 x Hex head No6 facing screws
 - 8 x No10 Posi head screws
 - Concealed bearings
 - Maximum adjusted door weight 160kg
 - Minimum door thickness 54mm
-
- Unit weight 0.54kg
 - Packing box quantity 2 or 10

Notes:

- The FR version has R10 corner radii for easier fitting
- Mortice detail "D" for installation



Royde & Tucker Ltd

Bilton Road
Cadwell lane
Hitchin
SG4 0SB

Tel:01462 444444

Fax:01462 444433

www.ratman.co.uk

e-mail: sales@ratman.co.uk

Royde & Tucker Hinge instruction

HI-LOAD BUTT HINGES - FIXED PIN/LOOSE PIN

MODELS: - H100, H102, H103, H104, H106, H125, H1356, H180, H207/8/9/10

HI-LOAD hinges are designed for medium and high frequency use doors. In accordance with BS 4787, three hinges per door leaf should be fitted. HI-LOAD hinges are guaranteed against wear for a period of 25 years, provided they are correctly specified and fitted.

Model	Minimum Door Thickness	Maximum Adjusted Door Weight-3 Hinges
H100	44 mm	80 kgs
H102	44 mm	120 kgs
H103	44 mm	80 kgs
H104	35 mm	60 kgs
H106	35 mm	80 kgs
H125	44-65 mm	160 kgs
H1356	54 mm	200 kgs
H180	54 mm	250 kgs
H207	35 mm	120 kgs
H208 & H209	44 mm	120 kgs
H210	44 mm	160 kgs

ADJUSTED DOOR WEIGHT CALCULATION TABLE			
Actual Door Weight +	Doors of excess width. Please refer to catalogue		= Adjusted Door Weight
	Door Closer	+20%	
	Door Closer (Backcheck)	+75%	
	Extra Heavy Use Light Use	+10% -10%	

FIXING INSTRUCTIONS

- HI-LOAD hinges are fitted similarly to ordinary hinges.
Hinges with unequal leaf widths; the broad leaf is fitted to the frame and the narrow leaf to the door.
Where the hinges have equal leaf widths, the hinge with two knuckles is fitted to the frame and the leaf with a single knuckle to the door.
- Mark out and cut mortice.
- Drill pilot holes, sized to suit the fixing screws and the type of frame material being screwed into.
- Ensure screws are fully tightened.
- No lubrication or maintenance is required.

IMPORTANT: Loose Pin and Fixed Pin Hinges

- HI-LOAD hinges are very accurately manufactured with very little clearance or play. Ensure that the hinge halves are accurately fitted both vertically and laterally, and that the axes of the pins are in line.
- The HI-LOAD hinge should not need painting – if it is to be painted, on no account must paint be allowed onto the bearing surfaces.
- The HI-LOAD hinge must not be stoved or heated.
- For all fire doors, the hinges should be bedded in intumescent mastic in accordance with the manufacturer's instructions.

IMPORTANT: Loose Pin Hinges (check for availability)

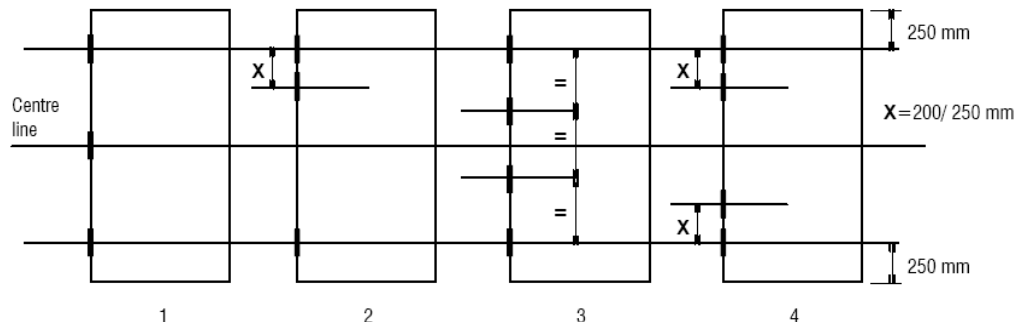
Ensure that when the door is presented to the frame

- The bearing surfaces are clean.
- Care must be taken not to damage the bearing surfaces on assembly, and when inserting the pin.
- When the door is correctly hung, gently tap home the pin with a small hammer from the top and insert the blanking plug.

HINGE POSITIONING:

For maximum resistance to warping, position the hinges with equal spacing. (diag. 1 & 3)

For maximum load carrying ability, fit 2 hinges high and 1 or 2 hinges low. (diag. 2 & 4)



IMPORTANT: PLEASE NOTE.

Bright zinc finish offers both a pleasing aesthetic and robust finish. However, it must be remembered that it is a sacrificial plating and may discolour and tarnish when exposed to adverse conditions. i.e. dampness, salt spray, wet trade pollution and certain cleaning materials.

Royde & Tucker Ltd
 Bilton Road
 Cadwell lane
 Hitchin
 SG4 0SB
 Tel:01462 444444
 Fax:01462 444433
 www.ratman.co.uk
 e-mail: sales@ratman.co.uk