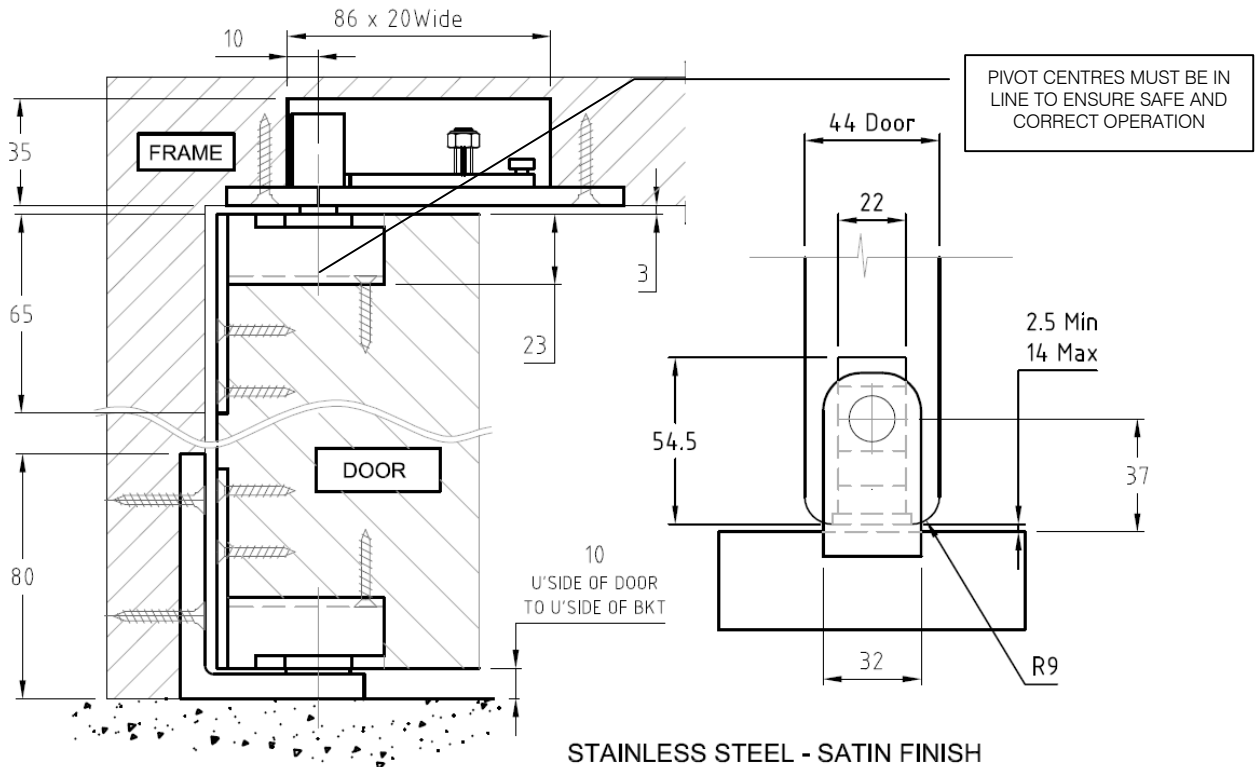
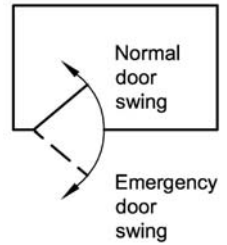


## Royde & Tucker H131-450 HI-LOAD pivot set



- Grade 304 stainless steel
- Maintenance free, guaranteed for 25 years
- Allows the door to swing in either direction
- Inclusive of adjustable top and bottom brackets (+/-5.5mm)
- For 44mm thick doors an R9 radius is required on the pivot edge
- For 54mm thick doors an R12 radius is required on the pivot edge
- Bottom bracket is frame mounted
- Medium duty for internal doors weighing up to 80kg and up to 1100mm wide
- Top and bottom door plates have HI-LOAD maintenance free oil impregnated bronze bearings
- Set includes door bottom pivot, top centre, door brackets and screws
- Unit weight 0.52kg
- Packing box quantity 1 or 15

Note: Door plates radii R12.5 for easier preparation

### Royde & Tucker Ltd

Bilton Road  
Cadwell lane  
Hitchin  
SG4 0SB

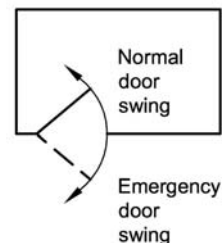
Tel:01462 444444

Fax:01462 444433

www.ratman.co.uk

e-mail: sales@ratman.co.uk

## Royde & Tucker H131-450 HI-LOAD pivot set



Parts as follows:

- 2-off: ADJ DOOR BRACKET
- 1-off: TOP FRAME BRACKET.
- 1-off: BOTTOM PIVOT BRACKET.
- 8-off: 1-1/4" x No 10 WOODSCREWS.
- 6-off: 1-1/4" x No 8 WOODSCREWS.

### FITTING INSTRUCTIONS.

1. DECIDE ON A POSITION FOR THE PIVOT CENTRE IN DOOR.  
SEE DIAGRAM FOR TYPICAL INSTALLATION, 34MAX DIMENSION  
GIVES 4m/m CLEARANCE BETWEEN DOOR AND FRAME  
MORTICE DOORPLATES INTO TOP AND BOTTOM OF DOOR.
2. FIT TOP FRAME BRACKET INTO HEAD OF DOOR FRAME.SEE  
DIMENSIONS ON DIAGRAM. DO NOT REMOVE RELEASE SCREW  
RETAINING NUT.  
UNSCREW TOP FRAME BRACKET RELEASE SCREW TO STOP  
POSITION.DO NOT APPLY EXCESSIVE FORCE, USE OF POWER  
DRIVERS IS NOT RECOMMENDED.

#### NOTE:

- CHECK TOP PIVOT PIN MOVES FREELY TO THE UP POSITION,  
WHEN RELEASE SCREW IS IN ITS STOP POSITION.
3. FIT BOTTOM PIVOT BRACKET INTO DOORFRAME.  
PROVIDE SUPPORT BETWEEN BRACKET AND FLOOR IF DOOR  
WEIGHT IS IN EXCESS OF 30Kgs.

### FITTING DOOR.

LOWER DOOR ONTO BOTTOM PIVOT BRACKET PIN, ENSURING  
CORRECT LOCATION IN BEARING.  
PUSH RELEASE SCREW UP TO RETRACT TOP PIVOT PIN, AND  
POSITION DOOR SO THAT TOP PIVOT PIN LOCATES INTO  
DOORPLATE BUSH.  
LOWER TOP PIVOT PIN INTO POSITION BY TURNING RELEASE  
SCREW CLOCKWISE.

### ADJUSTMENT

TO ADJUST THE UNIT. INSERT AN ALAN KEY INTO THE HOLE IN  
THE HEEL OF THE UNIT AND TURN CLOCKWISE TO MOVE DOOR  
AWAY FROM HINGE EDGE AND ANTICLOCKWISE TO PULL THE  
DOOR TOWARDS THE HINGE EDGE.

### CHECK AND ENSURE SCREWS ARE FULLY TIGHTENED

**Royde & Tucker Ltd**

Bilton Road  
Cadwell lane  
Hitchin  
SG4 0SB

Tel:01462 444444

Fax:01462 444433

www.ratman.co.uk

e-mail: sales@ratman.co.uk