

Threshold Plate Seals incorporate a seal in the Threshold Plate and as such, do not require a door bottom seal.

RP97 Si

H



A threshold plate seal best suited for outward opening butt hinged doors. When used in conjunction with RP93 Si and RP16 Si an excellent smoke and acoustic system is achieved. For acoustic applications the void under the RP97 Si should be filled with sound foam or other suitable material (by others).

Note: RP67 drip-strip should be considered above doorway if opening has no eave weather protection.

Note: Specify order length wider than door opening to provide a neat detail at door frame (see illustration).

Location Door sills abutting outward opening butt hinged plant room or emergency exit doors. Not recommended for pedestrian entry doors.

Min/Max Gap Compression of seal 0mm to 2mm.

Seal Sizes Available in stock lengths.

Standard Finish Aluminium anodised 25 microns. Satin Clear (Silver).

Seal Material Silicon Rubber (SE) (Black).

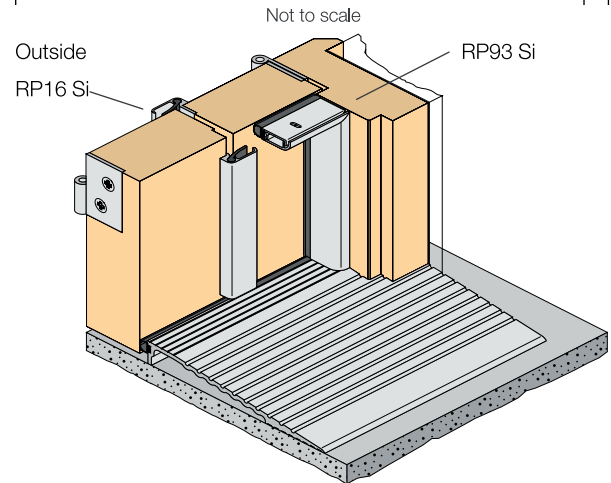
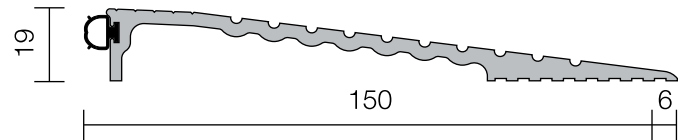
Fixing Method Zinc plated, cross recess head CSK S.T. screws of the appropriate size and colour are supplied, or can be fastened with builders adhesive for concealed fixing (user determined).

Approvals

Fire & Smoke UK: Conforms to Approved Document B. Gasket flammability index 1 when tested to AS 1530.2.

Access & Mobility NZ: Conforms to NZ BC Compliance Doc. D1/AS1 1.3.2.

Energy Complies with NCC BCA Pt. 3.12.3.3 & J3.4 for Building Sealing and Energy efficiency.



RP117 Si

H



The RP117 Si is a weather proof threshold plate seal suited to outward opening butt hinged doors. It is ideal for use with a panic type exit device (by others).

For acoustic applications the void under the threshold should be filled with sound foam or other suitable material (by others).

Location Door sill. (butt hinges recommended).

Seal Sizes Available in stock lengths.

Standard Finish Aluminium anodised 25 microns. Satin Clear (Silver) finish.

Seal Material Silicon Rubber (SE) (Grey).

Fixing Method Zinc plated, cross recess head CSK S.T. screws of the appropriate size and colour are supplied, or it can be fastened with builders adhesive for concealed fixing.

Used in Conjunction

Raven door frame seals and suitable panic type exit devices (by others).

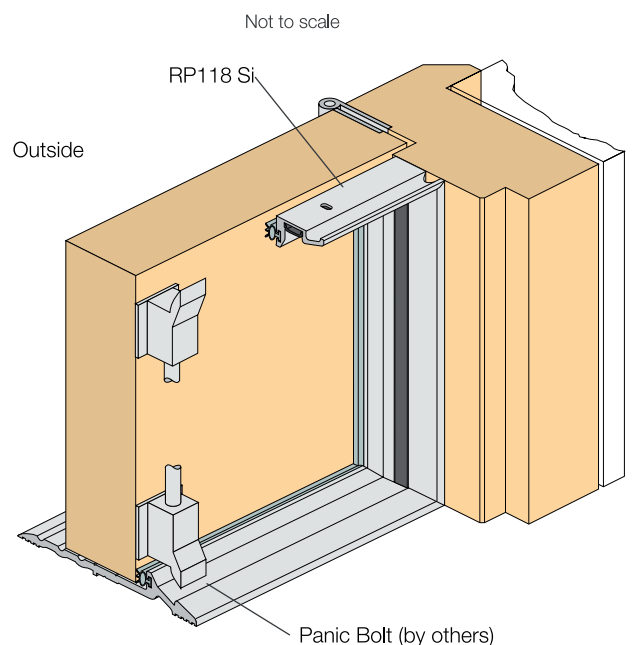
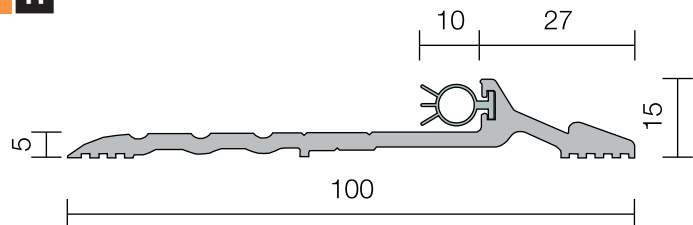
Approvals

Acoustic UK/EU: Conforms to Approved Document E. Approved to BS EN ISO 140.3 (similar to BS EN ISO 717.1, BS 2750 & BS 5821).

Fire & Smoke UK: Conforms to Approved Document B. Gasket flammability index 1 when tested to AS 1530.2.

Access & Mobility UK: Conforms to Approved Document M.

Energy Complies with NCC BCA Pt. 3.12.3.3 & J3.4 for Building Sealing and Energy efficiency.



Threshold Plates are hard anodised, aluminium extrusions that are fitted to the sill under doors; they provide a clean delineation between adjacent floor surfaces. A weather barrier in themselves, threshold plates provide an optimum sealing surface for door bottom seals. Being hard wearing, threshold plates offer an elevated sealing surface which, in the case of door bottom sweep seals, prevents contact or excessive resistance over carpeted, uneven or sloping floors.

Raven Threshold Plates have been designed to withstand the day to day rigours of heavy pedestrian and wheeled traffic encountered in commercial buildings. Their low profiles do not impede wheeled traffic nor do they present any tripping hazard to pedestrian traffic.

Where disabled access is a requirement, ensure that the Threshold Plate is suitable for wheeled access and that it conforms to the relevant building code or standard. To assist with selection, a wheelchair icon is shown including the approvals description.

RP4b

M



A medium duty threshold plate with an integral sill gasket for use with door bottom seals.

Location Door sill.

Sizes Available in stock lengths.

Standard Finish Aluminium anodised 25 microns. Satin Clear (Silver) or Bronze finish.

Fixing Method Zinc plated, cross recess head CSK S.T. screws of the appropriate size are supplied.

Used in Conjunction

Raven door bottom seals.

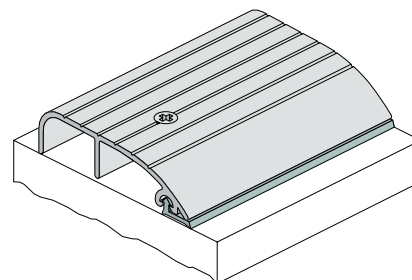
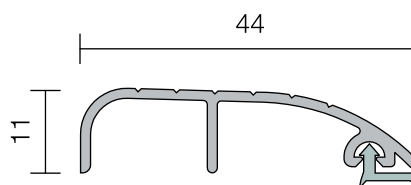
Approvals

Fire UK/EU: Conforms to Approved Document B. Approved to BS 476 Pt. 20 & 22 (similar to BS EN 1634-1).

Access & Mobility UK/EU:



Conforms to Approved Document M.



RP19

H



A heavy duty door threshold plate. This ribbed profile threshold is available in aluminium and solid brass. When exposed to weather, the brass version will in time turn to a bronze finish.

Location Door sill.

Sizes Available in stock lengths.

Standard Finish Aluminium anodised 25 microns. Satin Clear (Silver).

Fixing Method Zinc plated, cross recess head CSK S.T. screws of the appropriate size and colour are supplied.

Used in Conjunction

Raven door bottom seals.

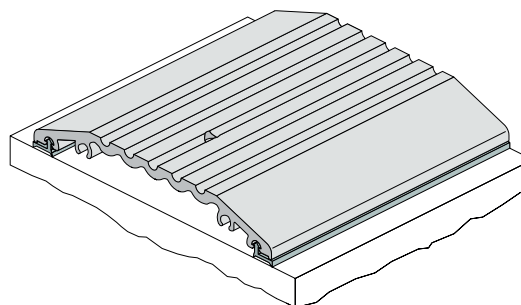
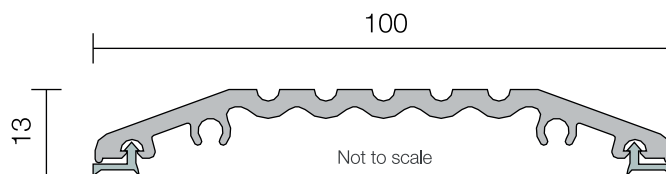
Approvals

Fire UK: Conforms to Approved Document B. Approved to BS 476 Pt. 20 & 22 (similar to BS EN 1634-1).

Access & Mobility UK/EU:



Conforms to Approved Document M.



RP28

H



A wide heavy duty door threshold plate used in conjunction with door bottom seals or pivot hinge doors. This ribbed profile threshold is also available in solid brass, which, when exposed to weather, will in time turn to a bronze finish.

Location Door sill.

Sizes Available in stock lengths.

Standard Finish Aluminium anodised 25 microns. Satin Clear (Silver) finish.

Fixing Method Zinc plated, cross recess head CSK S.T. screws of the appropriate size.

Used in Conjunction

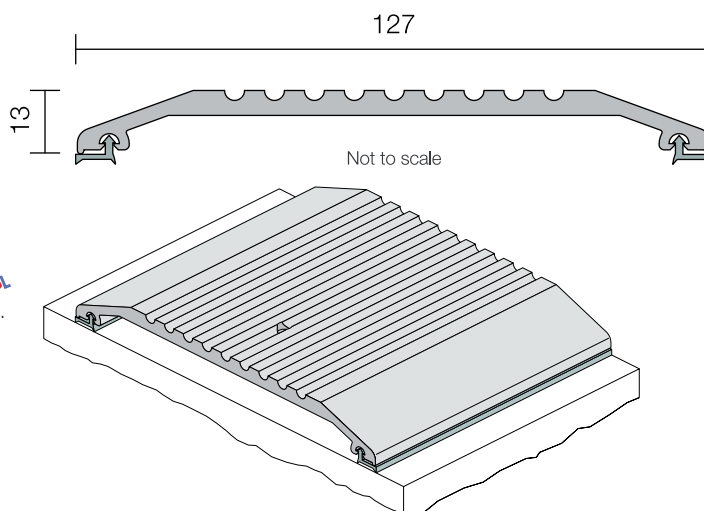
Raven door bottom seals.

Approvals

Fire UK: Conforms to Approved Document B. Approved to BS 476 Pt. 20 & 22 (similar to BS EN 1634-1).

Access & Mobility

UK: Conforms to Approved Document M.



RP29

H



A heavy duty door threshold plate used in conjunction with door bottom seals or pivot hinge doors.

Location Door sill.

Sizes Available in stock lengths.

Standard Finish Aluminium anodised 25 microns. Satin Clear (Silver) finish.

Fixing Method Zinc plated, cross recess head CSK S.T. screws of the appropriate size.

Used in Conjunction

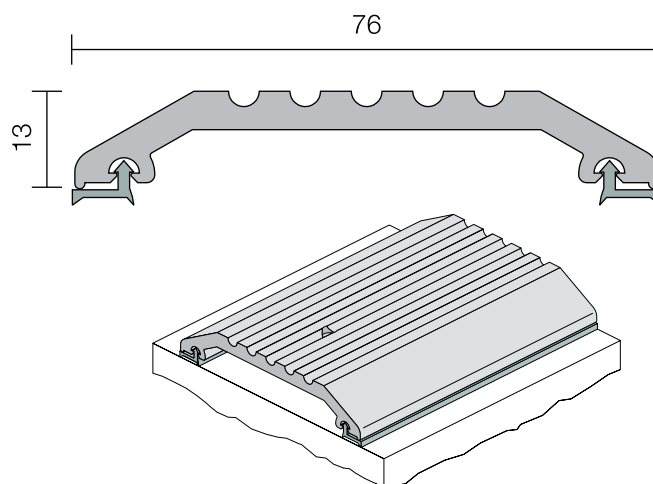
Raven door bottom seals.

Approvals

Fire UK: Conforms to Approved Document B. Approved to BS 476 Pt. 20 & 22 (similar to BS EN 1634-1).

Access & Mobility

UK: Conforms to Approved Document M.



RP66

H



A flush fitting threshold plate for carpet covered floors. Used in conjunction with a door bottom seal such as RP38 Si, it is designed to provide an optimum sealing surface, as carpets can flatten and thus reduce sealing effectiveness. RP66 has concealed fixings with self adhesive aluminium insert.

Location The carpeted sill of interior doors.

Sizes Available in stock lengths.

Standard Finish Aluminium anodised 25 microns. Satin Clear (Silver) finish.

Fixing Method Zinc plated, cross recess head CSK S.T. screws of the appropriate size.

Used in Conjunction

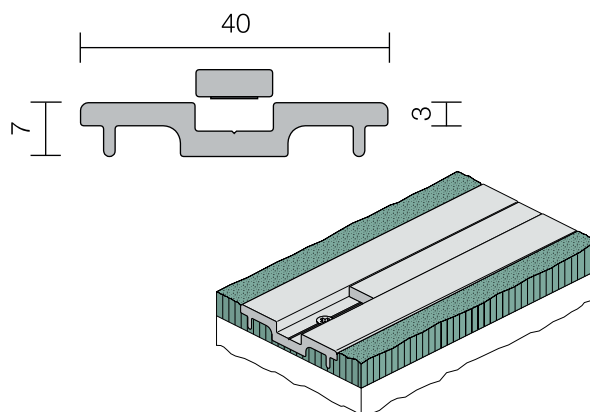
Raven door bottom seals.

Approvals

Fire UK: Conforms to Approved Document B. Approved to BS 476 Pt. 20 & 22 (similar to BS EN 1634-1).

Access & Mobility

UK: Conforms to Approved Document M.



RP77

H



A heavy duty door threshold. The ribbed extrusions can be positioned back to back to provide a two way threshold ramp. Conforms to NCC BCA Pt. D2.15 Thresholds (b).

Location Door sill or used to provide a ramp frame for internal door mats.

Sizes Available in stock lengths.

Standard Finish Aluminium anodised 25 microns. Satin Clear (Silver) finish.

Fixing Method Zinc plated, cross recess head CSK S.T. screws of the appropriate size are supplied.

Used in Conjunction

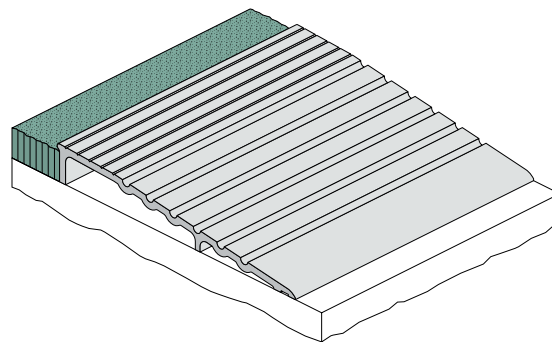
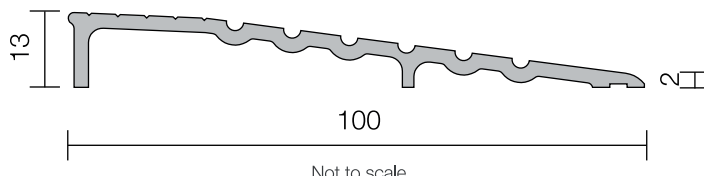
Raven door bottom seals.

Approvals

Fire UK: Conforms to Approved Document B. Approved to BS 476 Pt. 20 & 22 (similar to BS EN 1634-1).

Access & Mobility

UK: Conforms to Approved Document M.



RP82

H



A low profile threshold plate used in conjunction with door bottom seals to prevent rain, draught and smoke infiltration.

Location Door sill.

Sizes Available in stock lengths.

Standard Finish Aluminium anodised 25 microns. Satin Clear (Silver) finish.

Fixing Method Zinc plated, cross recess head CSK S.T. screws of the appropriate size are supplied, or it can be fastened with adhesive.

Used in Conjunction

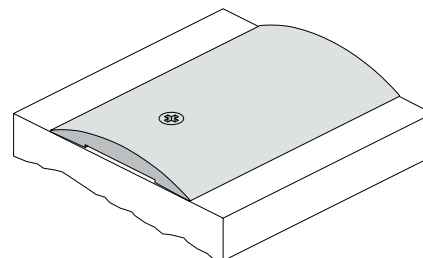
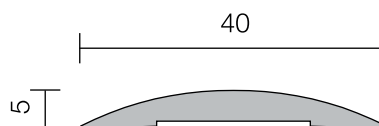
Raven door bottom seals.

Approvals

Fire UK: Conforms to Approved Document B. Approved to BS 476 Pt. 20 & 22 (similar to BS EN 1634-1).

Access & Mobility

UK: Conforms to Approved Document M.



RP95

H



A low profile threshold plate used in conjunction with door bottom seals to prevent rain, draught and smoke infiltration.

Location Door sill.

Sizes Available in stock lengths.

Standard Finish Aluminium anodised 25 microns. Satin Clear (Silver) finish.

Fixing Method Zinc plated, cross recess head CSK S.T. screws of the appropriate size are supplied, or it can be fastened with adhesive.

Used in Conjunction

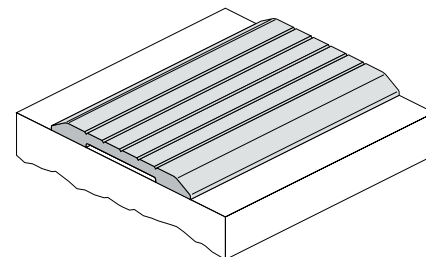
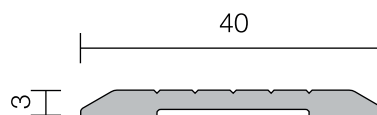
Raven door bottom seals.

Approvals

Fire UK: Conforms to Approved Document B. Approved to BS 476 Pt. 20 & 22 (similar to BS EN 1634-1).

Access & Mobility

UK: Conforms to Approved Document M.



RP98



A heavy duty threshold plate. RP98 can be positioned back to back to provide a two way ramp. RP98 is ideal for commercial shop fronts providing a neat ramp detail between carpets or tiles at doorways. Conforms to NCC BCA Pt. D2.15 Thresholds (b).

Note: Specify order length wider than door opening to provide a neat detail at door frame (see illustration).

Location Door sill or used to provide a ramp frame for internal door mats.

Sizes Available in stock lengths.

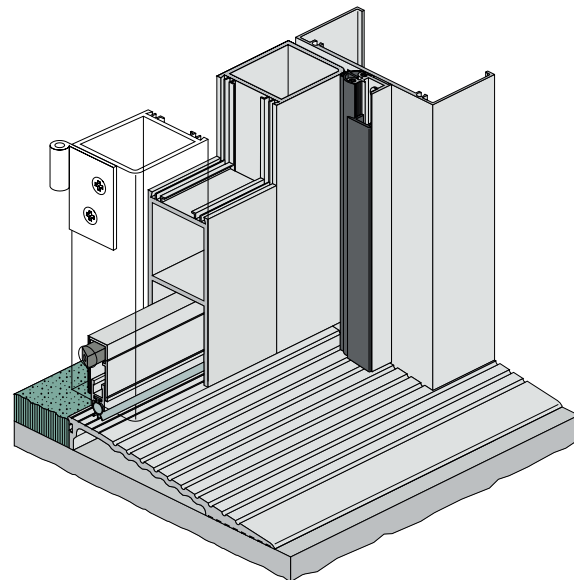
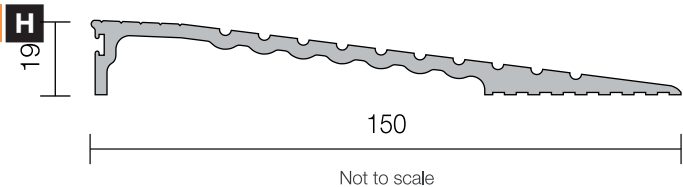
Standard Finish Aluminium anodised 25 microns. Satin Clear (Silver) finish.

Fixing Method Zinc plated, cross recess head CSK S.T. screws of the appropriate size are supplied, or it can be fastened with builders adhesive for concealed fixing.

Used in Conjunction Raven door bottom seals and door frame seals.

Approvals
Fire UK: Conforms to Approved Document B. Approved to BS 476 Pt. 20 & 22 (similar to BS EN 1634-1).

Access & Mobility 
 UK: Conforms to Approved Document M.



RP115



A low profile threshold plate used in conjunction with Raven door bottom seals to prevent rain, draught and smoke infiltration.

Location Door sill.

Sizes Available in stock lengths.

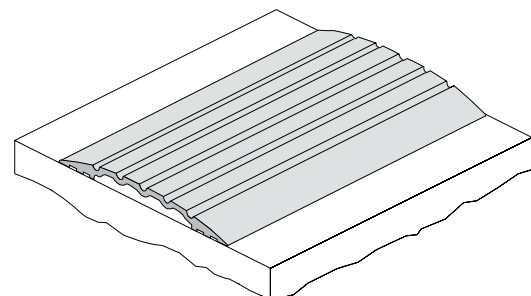
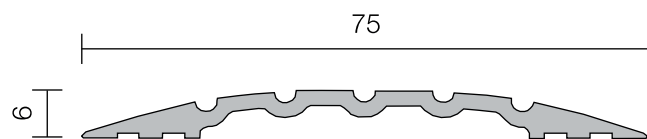
Standard Finish Aluminium anodised 25 microns. Satin Clear (Silver) or Bronze finish.

Fixing Method Zinc plated, cross recess head CSK S.T. screws of the appropriate size are supplied, or it can be fastened with adhesive.

Used in Conjunction Raven door bottom seals.

Approvals
Fire UK: Conforms to Approved Document B. Approved to BS 476 Pt. 20 & 22 (similar to BS EN 1634-1).

Access & Mobility 
 UK: Conforms to Approved Document M.



RP116



A low profile threshold plate used in conjunction with Raven door bottom seals to prevent rain, draught and smoke infiltration.

Location Door sill.

Sizes Available in stock lengths.

Standard Finish Aluminium anodised 25 microns. Satin Clear (Silver).

Fixing Method Zinc plated, cross recess head CSK S.T. screws of the appropriate size are supplied, or it can be fastened with adhesive.

Used in Conjunction Raven door bottom seals.

Approvals
Fire UK: Conforms to Approved Document B. Approved to BS 476 Pt. 20 & 22 (similar to BS EN 1634-1).

Access & Mobility 
 UK: Conforms to Approved Document M.

